

Sprung toggle latch with connecting link

GP75

Recommended for applications with no seal

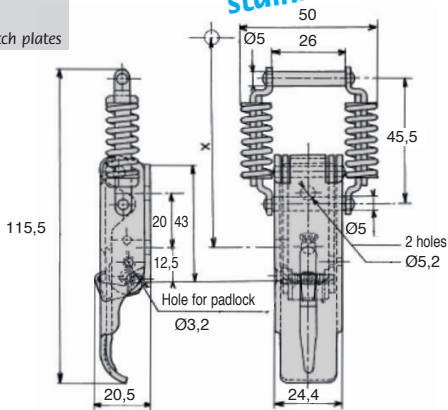
- High retaining strength for a spring latch
- Lever can be locked to the mounting bracket by retractable handle
- Easy operation of the release handle
- Can be locked
- Large spring range
- Wide positioning tolerance
- Materials:
 - White zinc plated steel
 - 18/8 stainless steel, natural finish

Installation

- Approximate mounting dimension: Using an AC144 catch plate, X = 82.5 mm for a tension of about 550N

Accessories

- AC144-ZZB and AC144-SS catch plates



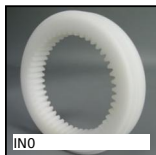
DISCOUNTS

Qty	1+	51+	101+	250+	400+
Disc.	List	-10%	-15%	-20%	On request

Part N°	Material	Wire Ø	Lever thickness	Mounting plate thickness	Max tension (N)	Weight (g)	Stock*	Price each 1 to 50
GP75-ZB	Steel	5,00	20/10th	20/10th	750	125	✓	10,87 €
GP75-SS	Stainless steel	5,00	20/10th	20/10th	750	125	✓	18,60 €

All dimensions in mm

Our other products



Internal gear,
Machined plastic
(delrin)



Strike for toggle latch,
15mm



Surface mounting
plate, Surface
mounting plate for
clevis



Machined plastic
bevel gear , 2:1



Spring loaded latch,
Spring return latch -
stainless steel



Long-Lok slotted
spring plunger with
ball tip, LONG-LOK -
Steel



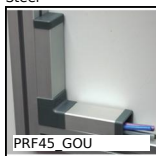
Bow shackle with eye
bolt, Steel



Tensioner pulley, For
V belts



Worm and wheel set,
Hardened steel



Chute profile,
Accessories



Rotating bent lever,
Common applications



Locking castor, with
mounting plate

Complementary products



Strike for toggle latch,
22mm



Spring loaded toggle
latch, Standard
(GP75)



Toggle latches,
Standard



Toggle latches, With
padlock-holder