

Recommended in absence of seal

GP22
GP23

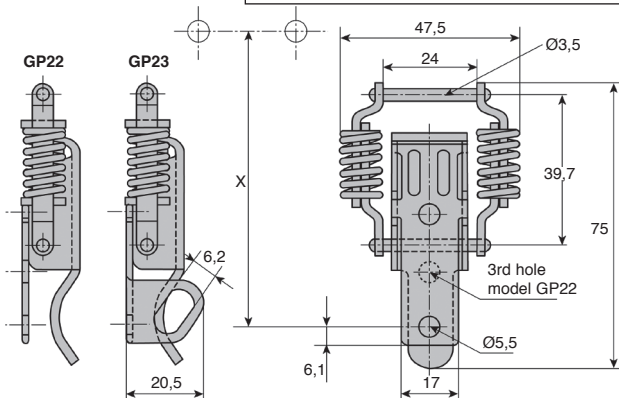
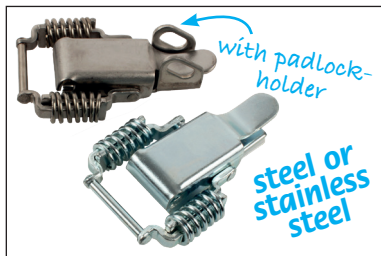
- Wide positioning tolerances
- Very adaptable
- Materials: White zinc steel or stainless steel 303

Assembly

- When used with AC122 hook, dimension X= 87mm to withstand a tension of 350N

Info

- Not sold individually, please contact us for details



DISCOUNTS

Qty	1+	51+	101+	250+	400+	500+
Disc. List	-10%	-15%	-20%	-25%	On request	

Part number	Wire Ø	Lever thickness	Back-plate thickness	Max. tension (N)	Weight (g)	Stock*	Price each 1 to 50
Steel							
GP22-ZB	1,7	20/10th	25/10th	450	75	✓	7,58 €
GP23-ZB	2,5	20/10th	25/10th	450	75	✓	7,80 €
Stainless steel							
GP22-SS	2,7	20/10th	25/10th	450	75	✓	15,64 €
GP23-SS	3,5	20/10th	25/10th	450	75	✓	16,11 €

*Subject to availability - Dimensions in mm

Our other products



Drylin® W modular guidance, Slide



3 lobed handle, Polyamide - Brass



Drylin® W modular guidance, Slide



Hinge, Square with riveted pin, not drilled



Magnetic stud, With threaded hole



GLT3-46



Hose clamp, Box set of steel hose clamps



Rigid foot, Swivelling Ø110



Wheel, Bronze



Linear roller slide, Chariot - from 9410 N to 101000 N



Indexing plunger, steel class 5.8



Spring loaded plunger, Stainless steel body

Complementary products



Locking clips hook, 12,13,18 and 20mm