

Recommended in absence of seal

GP22
GP23

- Wide positioning tolerances
- Very adaptable
- Suitable for vibrations
- Materials:
White zinc steel or stainless steel 303

Assembly

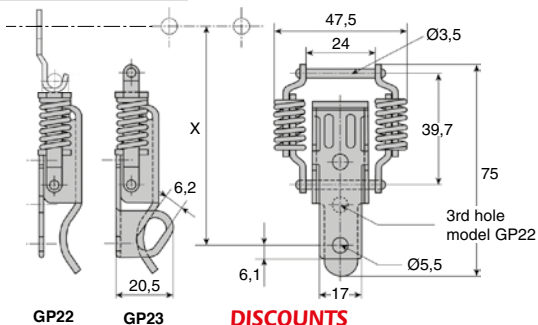
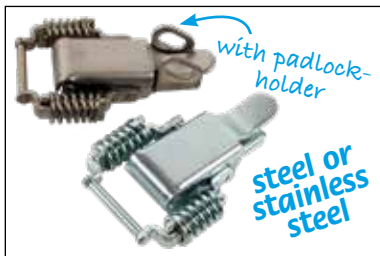
- When used with AC122 hook, dimension X= 87mm to withstand a tension of 350N
- Dimension X taken on the first hole of the hook.

Info

- Not sold individually, please contact us for details

Accessory

- Hooks AC122 (t.imagetome1 p.125)



DISCOUNTS

Qty	1+	51+	101+	250+	400+	500+
Disc.	List	-10%	-15%	-20%	-25%	On request

Part number	Material	Wire Ø	Lever thickness	Back-plate thickness	Max. tension (N)	Weight (g)	Stock*	Price each 1 to 50
With padlock holder								
GP22-ZB	Steel	1,7	20/10th	25/10th	450	75	✓	7,58 €
GP22-SS	Stainless steel	2,7	20/10th	25/10th	450	75	✓	15,64 €
Without padlock holder								
GP23-ZB	Steel	2,5	20/10th	25/10th	450	75	✓	7,80 €
GP23-SS	Stainless steel	3,5	20/10th	25/10th	450	75	✓	16,11 €

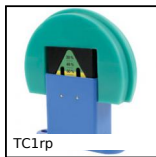
*Subject to availability - Dimensions in mm

Our other products



CFF

Female rod ends DIN ISO12240-4, Steel / bronze



TC1rp

Automatic chain tensioner, With 180° guide



DEP

Tools Hygienic Usit® and Hygienic Design®, Socket for mounting Hyg...



RBGtc

Swivel castor with central hole, Steel - grey rubber - with double b...



RPP

Connecting plate for RPP type timing belts, RPP8



E60B

Right angle helical reducers, from 4.50 to 24 Nm



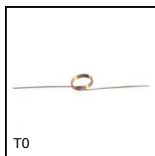
DCA

Suction cup, 1.5 bellows, silicon



PGNT

Thermoplastic T handle, With threaded spindle



T0

Torsion spring, Stainless steel



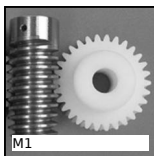
HD

Double needle roller universal joint, Heavy duty



BL15

Right angled gearbox, from 1.10 to 6 Nm



M1

Worm and wheel set, Machined plastic (delrin)

Complementary products



AC

Strike for toggle latch, 12,13,18 and 20mm