



# Flat guide for conical profile

For bottling and packaging applications

## GMK17Pss

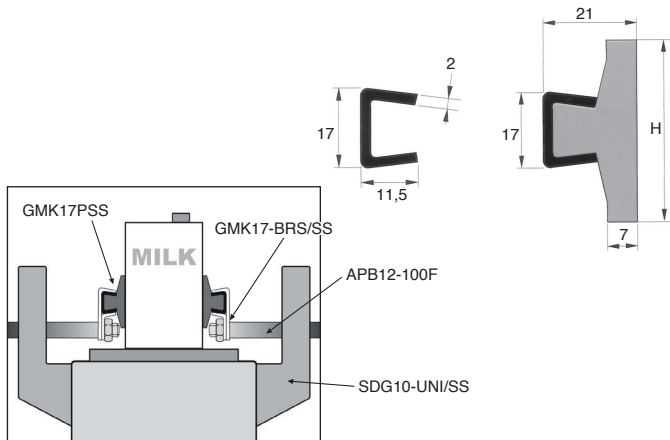
- Guide profile for conveying products
- Materials:
  - Guide: DESLIDUR polyethylene (UHMW1000)
  - Support: stainless steel

### Accessories

- Fixing clip **GMK17-BR**, **GMK17-BRS/SS**, **GMK17-BRD/SS**
- Support **SDG**
- Link **GMK17-RG/SS**



stainless steel



Typical application:  
guiding food cartons

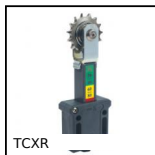
### DISCOUNTS

Qty	1+	2+	4+	10+
Disc.	List	-10%	-15%	On request

Part number	Colour	H	Length L(mm)	Weight (kg/m)	Stock*	Price each
GMK17-P40-3/SS	White	40	3000	0,88	✓	121,61 €
GMK17-P50-2/SS	White	50	2000	0,95	✓	144,86 €
GMK17-P60-2/SS	White	60	2000	1,02	✓	155,40 €

\*Depending on availability - Dimensions in mm

## Our other products



TCXR

Automatic chain tensioner, With stainless steel sprocket



BDMdlI

Magnetic bush for pin, Fast and light magnetic locking



CHTRP

Single and dual output gearboxes, Up to 87,3Nm



ACLEPP

Right angled bracket for aluminium profile, 4 holes



LRRR

Latch with locking system, Aluminium



ZG0

Plastic spur gear, Machined plastic (delrin)



PHG05

Parallel axis helical gear - Precision range, 20NCD2 case hardened s...



PPD

Indexing plunger for sheets, For sheet metal



DB

Steel bevel gear, 2:1



SHN

Hexagonal nut DIN934, A2 Stainless steel



NPCR

Adjustable cell support, Adjustable



BPM-Z

Plastic slotted spring plunger with ball tip, Plastic body + plastic...

## Complementary products



GMC\_GMK\_BR

Guiding profile clamp, Flat or rounded



GMK17\_R

Round guide, Round guide for conical profile



SDG\_SS

Universal adjustable guide support bracket, Stainless steel



GMK17\_RG

Joint for guiding profile, Rounded