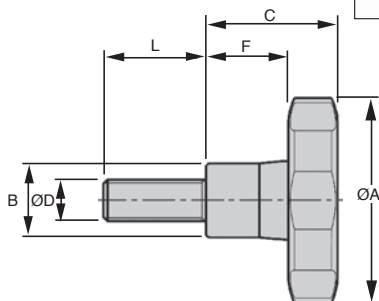


- Small 6 lobe male handle with steel stud
- Material :
Matt black polyamide
Stud: zinc plated steel or stainless steel

Option

- Stainless steel or polyamide colored insert on quantities



DISCOUNTS

Qty	1+	10+	20+	50+	100+	200+
Disc.	List	-5%	-10%	-15%	-20%	On request

Part number		ØA	B	C	F	ØD	L	Stock*	Price each 1 to 9	
Steel	Stainless steel								Steel	Stainless steel
GLP30-M6-20	GLP30-M6-20/SS	30	14	24	15	M6	20	✓	2,06 €	4,96 €
GLP30-M6-30	GLP30-M6-30/SS	30	14	24	15	M6	30	✓	2,41 €	5,46 €
GLP30-M8-20	-	30	14	24	15	M8	20	✓	2,41 €	-
GLP30-M8-30	-	30	14	24	15	M8	30	✓	2,46 €	-
GLP40-M8-20	GLP40-M8-20/SS	40	16	28	18	M8	20	✓	2,68 €	6,30 €
GLP40-M8-30	GLP40-M8-30/SS	40	16	28	18	M8	30	✓	2,74 €	6,68 €
GLP40-M8-40	-	40	16	28	18	M8	40	✓	2,83 €	-
GLP50-M10-20	-	50	18	32	20	M10	20	✓	3,74 €	-
GLP50-M10-30	GLP50-M10-30/SS	50	18	32	20	M10	30	✓	3,84 €	9,95 €
GLP50-M10-40	GLP50-M10-40/SS	50	18	32	20	M10	40	✓	3,95 €	10,09 €
GLP60-M12-30	GLP60-M12-30/SS	60	20	36	22	M12	30	✓	6,40 €	12,16 €
GLP60-M12-50	GLP60-M12-50/SS	60	20	36	22	M12	50	✓	6,98 €	14,06 €
GLP70-M12-30	-	70	23	40	24	M12	30	✓	6,98 €	-
GLP70-M12-50	-	70	23	40	24	M12	50	✓	7,47 €	-

*Depending on availability - Dimensions in mm

Our other products



CHAL3

Piano hinge, Steel



SVT20

Screwjack with travelling screw, with translating screw



GLT3-46

Telescopic drawer,



CAP821

Slat top chain acetal, Large range 821



CHB

Feet, For CHB gearbox



SLB

Indexing plunger, stainless steel



BPH

Ball transfer unit plain fit, High



PSG3

Spur gear - precision range, Case hardened steel 20NCD2



NT63

Spur gear coaxial gearbox, from 8 to 20



CHAR16046

Spring hinge, screwed



HTD8M_20

HTD Heavy duty timing pulley, HTD8



PF55

Worm and wheel gear reducer, up to 57 Nm

Complementary products



GLP

Small 6 lobe threaded handle - male, Technopolymer - Steel



BEAB

Knob star grip antibacterial, Star, anti-bacterial