

Female wing knob

Stock

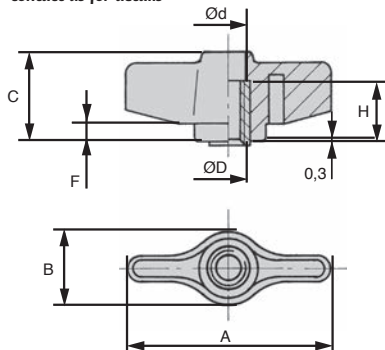
GGB

Technopolymer with brass insert

- Female wing knob with tapped hole (blind or fully threaded)
- For manual tightening
- Material:
Matt black polyamide with brass insert

Info.

- Not sold individually, please contact us for details



with brass insert

DISCOUNTS

Qty	1+	10+	20+	50+	100+	200+
Disc.	List	-5%	-10%	-15%	-20%	On request

Part number	A	B	C	ØD	Ød	H	F	Stock*	Price each 1 to 9
Knob with blind thread									
GGB34-M6	34	14	18	M6	-	9	4	✓	1,88 €
GGB34-M8	34	14	18	M8	-	9	4	✓	1,88 €
GGB40-M6	40	15	19	M6	-	9	4	✓	1,98 €
GGB40-M8	40	15	19	M8	-	9	4	✓	1,98 €
GGB48-M6	48	17	20	M6	-	13	4	-	2,06 €
GGB48-M8	48	17	20	M8	-	13	4	✓	2,06 €
Knob, fully threaded									
GGB34-M6/FP	34	14	18	M6	7	15	4	✓	2,06 €
GGB40-M6/FP	40	15	19	M6	9	15	4	✓	2,11 €
GGB40-M8/FP	40	15	19	M8	9	15	4	✓	2,11 €
GGB48-M6/FP	48	17	20	M6	9	15	4	✓	2,21 €
GGB48-M8/FP	48	17	20	M8	9	15	4	✓	2,21 €

*Depending on availability - Dimensions in mm

Our other products



ADSR
Backlash free
coupling Gerwah®,
from 12.5 to 525Nm



BOXKU
Boxed set of half
round (Woodruff) keys
NFE22179, Boxed set
of half ...



HG6
Steel spur gear, Steel
20NCD2



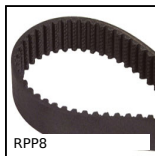
VTLB
Three-lobed knob,
Thermoplastic / Brass
or stainless steel
insert



DOMI30
Accessories, Plate



GAL_25
Ø25 conveyor roller,
Without ball bearing



RPP8
RPP heavy duty
timing belt, RPP8



PF20
Worm and wheel gear
reducer, up to 5 Nm



M0
Worm and wheel set,
Non hardened steel



BEAS
Star shaped anti-
static handle, Star,



CMA
Eye bolt, Steel



LC
Friction clutch, 30 to
240 Nm

Complementary products



GGB
Female wing knob,
Fully threaded



GGP
Male wing knob,
Technopolymer with
stainless steel spindle