

Rigid toggle latch



GE32

Recommended in case of vibration

- Closed by latching
- High strength
- Lever locks on the mounting bracket (Especially useful in case of vibration).
- Can be locked
- "Ammunition box" style clasp
- Materials:
 - White zinc plated steel
 - 18/8 stainless steel, natural finish

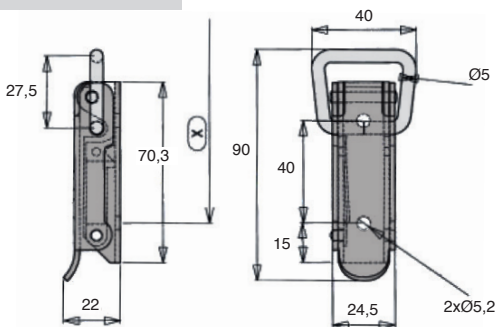
Installation

- Approximate mounting dimension: Using an AC157 catch plate, X = 94 mm for a tension of about 150daN (for the long version)

Accessories

- AC156-ZB, AC156-SS, AC157-ZB and AC157-SS catch plates

Steel or stainless steel



DISCOUNTS

Qty	1+	51+	101+	250+	400+
Disc.	List	-10%	-15%	-20%	On request

Part N°	Material	Wire Ø	Lever thickness	Mounting plate thickness	Max tension (N)	Weight (g)	Stock*	Price each 1 to 50
GE32-ZB	Steel	5,00	20/10th	20/10th	2500	103	✓	2,80 €
GE32-SS	Stainless steel	5,00	20/10th	20/10th	2500	109	✓	11,50 €

All dimensions in mm

HPC

WEB
04/2020

www.hpceurope.com

Tél: 0 825 88 5000 Service 0,15 €/min + prix appel

Our other products



KKB-AR
Linear bearing with inclined ball tracks, Standard loads / -20° +20...



PTA50ssEB
Articulated foot with sheet metal base Ø50, Articulated foot



M1
Worm and wheel set, Hardened steel



MSP23
Masterplate® glueable insert Ø23, Cylindrical Ø23 with threaded s...



BHC
Socket head button screw, Stainless steel A2



T2,5-BAR
T type tooth bar stock, T2.5



M0
Worm and wheel set, Hardened steel



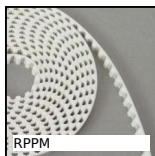
VPRA_M
Handwheel with handle, Thermosetting plastic - galvanised steel hub



SA_SAKH
Housing for linear bearing, Closed - light



UCFL_PBT
Stainless steel/Polymer flanged



RPPM
RPP type belt per metre, RPP8 Steel



CHB
Worm and wheel gear reducer, up to 73 Nm

Complementary products



AC156-157
Strike for toggle latch, 25.5mm



AC156-157
Strike for toggle latch, 25.5mm



GE32
Sprung toggle latch with connecting link, Standard



GE14
Toggle latches, With padlock-holder