

- Hook fastening
- Material: White zinc steel

Assembly

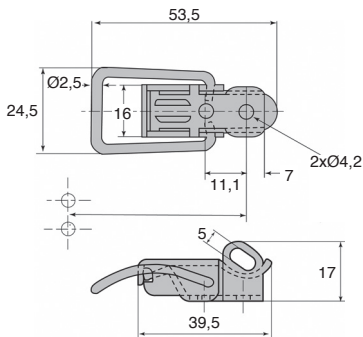
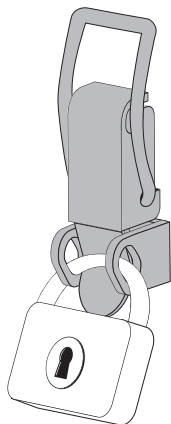
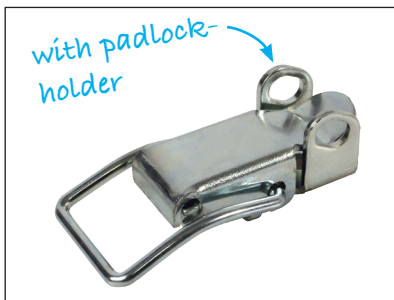
- GE14-ZB is used with AC101-ZB hook, dimension X = 53.9mm to withstand a tension up to 350N

Advantages

- Flexible positioning
- Can be operated many times without loss of clamping force
- Extended tolerance on positioning

Info.

- Not sold individually, please contact us for details



DISCOUNTS

Qty	1+	51+	101+	250+	400+	500+
Disc.	List	-10%	-15%	-20%	-25%	On request

Part number	Wire Ø	Lever thickness	Back-plate thickness	Max. tension (N)	Weight (g)	Stock*	Price each 1 to 50
GE14-ZB	2,5	15/10th	2mm	500	21,9	✓	3,39 €

*Subject to availability - Dimensions in mm

Our other products



UGH16

H Type Guide units,
For Ø12 and Ø16
actuators



HG5-ECO

Eco range Spur gear,
Steel C45



PRF_ROUL

Castor for aluminium
profile, No brake



PFL

P-FLEX Coupling, Set
screw



RPCpl

Swivel castor with
double brake, Steel -
Polyamide



SH1

Parallel axis helical
gear, Steel 20NCD2



COA-COG

Surface mounting
plate, Surface
mounting plate for
clevis



MFBS

Stainless steel flexible
bellows coupling,
Stainless steel - with
cl...



TCC

Rigging screw
(hook/hook), Steel



MDR_SS

Stainless steel Dee
shackle with eye bolt,
Stainless steel



HTD8M_50

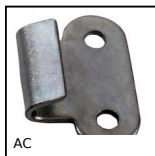
HTD Heavy duty
timing pulley, HTD8
Steel



PSG15

Spur gear - precision
range, Stainless steel
316

Complementary products



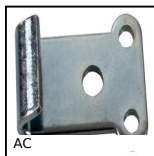
AC

Strike for toggle latch,
15mm



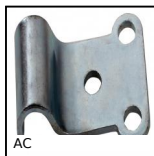
AC

Strike for toggle latch,
15mm



AC

Strike for toggle latch,
15mm



AC

Strike for toggle latch,
15mm