

# Flexible toggle latch

Stock StaSte

## GE1006

## Slot fastening

- Hook fastening
- Ring is slightly flexible
- Material: White zinc steel or stainless steel 303

Steel or stainless steel

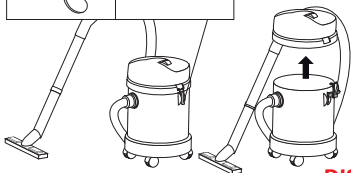
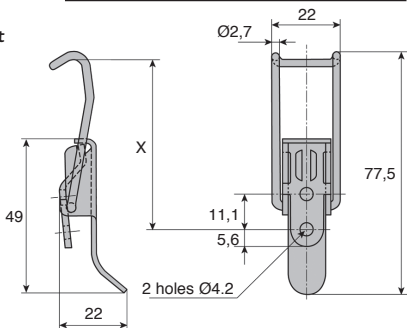
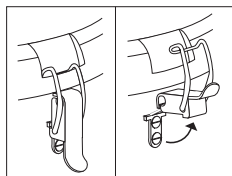


### Assembly

- Approx mounting dimension:  
X = 56.6mm to withstand a tension of 400N

### Info

- Not sold individually, please contact us for details



### DISCOUNTS

Qty	1+	51+	101+	250+	400+	500+
Disc.	List	-10%	-15%	-20%	-25%	On request

Part number	Wire Ø	Lever thickness	Back-plate thickness	Max. Tension (N)	Weight (g)	Stock*	Price each 1 to 50
<b>Steel</b>							
GE1006-ZB	2,7	15/10th	20/10th	550	25	✓	1,76 €
<b>Stainless steel</b>							
GE1006-SS	2,5	15/10th	20/10th	550	24	✓	8,46 €

\*Subject to availability - Dimensions in mm

HPC

WEB  
04/2020

www.hpceurope.com

Tél: 0 825 88 5000 Service 0,15 €/min + prix appel

## Our other products



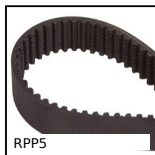
Ring operated locking bolt, with ring



Worm and wheel set, Bronze



Stainless steel knurled thumb nut, Knurled



RPP heavy duty timing belt, RPP5



Stainless steel splined shaft, Stainless steel



Horizontal toggle clamp, Horizontal Lever Clamp - steel



Pull handle, Aluminium



Worm - precision range, Steel



Screwjack with travelling nut, with moving nut



Deep groove ball bearing, Steel



Actuator guide kit, Short bearing



Worm and wheel gear reducer, up to 107 Nm - Integrated torque limiter

## Complementary products



Spring loaded toggle latch, Standard (GP75)



Sprung toggle latch with connecting link, Standard