

Flexible toggle latch

Stock Sta Ste

GE1006

Slot fastening

- Hook fastening
- Ring is slightly flexible
- Material: White zinc steel or stainless steel 303

Steel or stainless steel

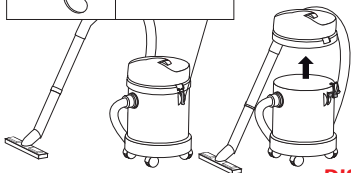
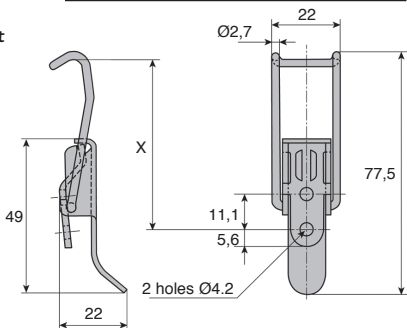
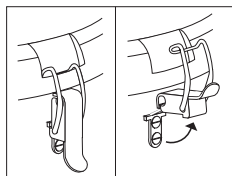


Assembly

- Approx mounting dimension:
X = 56.6mm to withstand a tension of 400N

Info

- Not sold individually, please contact us for details



DISCOUNTS

Qty	1+	51+	101+	250+	400+	500+
Disc.	List	-10%	-15%	-20%	-25%	On request

Part number	Wire Ø	Lever thickness	Back-plate thickness	Max. Tension (N)	Weight (g)	Stock*	Price each 1 to 50
Steel							
GE1006-ZB	2,7	15/10th	20/10th	550	25	✓	1,76 €
Stainless steel							
GE1006-SS	2,5	15/10th	20/10th	550	24	✓	8,46 €

*Subject to availability - Dimensions in mm

HPC

WEB
04/2020

www.hpceurope.com

Tél: 0 825 88 5000 Service 0,15 €/min + prix appel

Our other products



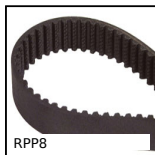
SHN

Hexagonal nut
DIN934, A2 Stainless
steel



BSM

Spring plunger with
internal hexagonal
socket, steel body and
pin



RPP8

RPP heavy duty
timing belt, RPP8



RTT

Locking Assembly,
Medium/high torque



TSRTC

Stem support for
caster, For swivel
caster with central
hole



CLR

Straight clevis,
Straight clevis for use
with a male clevis



TBD

Manual leadscrew
table with opposing
threads, 2kg



SVT15

Screwjack with
travelling screw, with
translating screw



IN1

Internal gear, Steel
20NCD2



T5-16ECO

T type timing pulley,
Economy range - T5



PM2

Worm and wheel set,
Bronze



BPHF

Ball transfer unit push
fit, Heavy

Complementary products



GP75

Spring loaded toggle
latch, Standard
(GP75)



GE32

Sprung toggle latch
with connecting link,
Standard