



Straight track for plate chain

For chain range 882 TAB

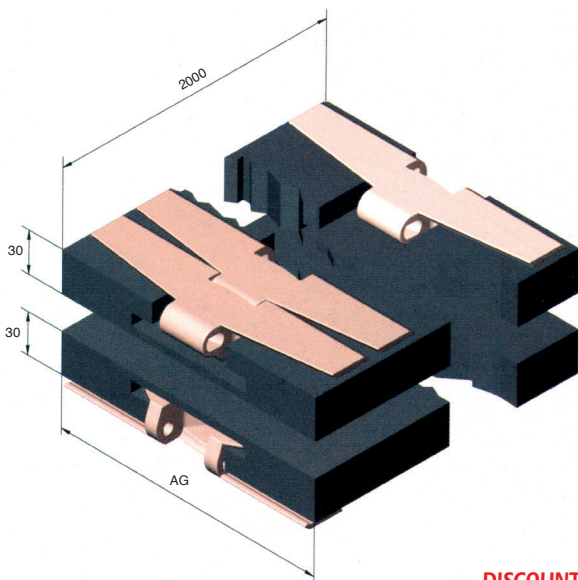
GDR882T

- Used to support and guide CAP882T and CAP881T/SS plate chains

- Material:
Black DESLIDUR

Info.

- Comprises 2000mm tracks (carry and return)



DISCOUNTS

Qty.	1+	5+	10+
Disc.	List	-5%	On request

Part number	For chain	AG (mm)	Length (mm)	Weight (kg)	Price each 1 to 4
GDR882T-190	CAP882T-190	200	2000	17,3	439,18 €
GDR882T-254	CAP882T-254	270	2000	25,4	580,08 €
GDR882T-304	CAP882T-304	320	2000	31,3	658,17 €

Dimensions in mm

Our other products



ACL-FPA

Panel mounting block for aluminium structures, Support block



ACL

Joints for aluminium profile, Variable angle hinge



PRF19_E

Bracket for aluminium profile, PRF19 to PRF45



HAR9

Captive C washer, DIN 6371



CLB_M

Die cast zinc clamping lever - female, Zamak



CLASS

Stainless steel indexing handle - female, Stainless steel



GLT3E-50

Telescopic drawer,



M0

Worm and wheel set, Non hardened steel



DOG316

Motor-gearbox 12V and 24V DC, from 1.5 to 2 Nm



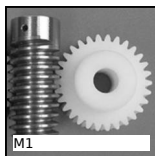
M0

Worm and wheel set, Bronze



ESSB

Bipod support base, Bipod support base



M1

Worm and wheel set, Machined plastic (delrin)

Complementary products



CAP882

Flexible slat top chain acetal, Large range 882



PR882

Idler sprocket for slat top chain, Range 882