

Straight track for plate chain



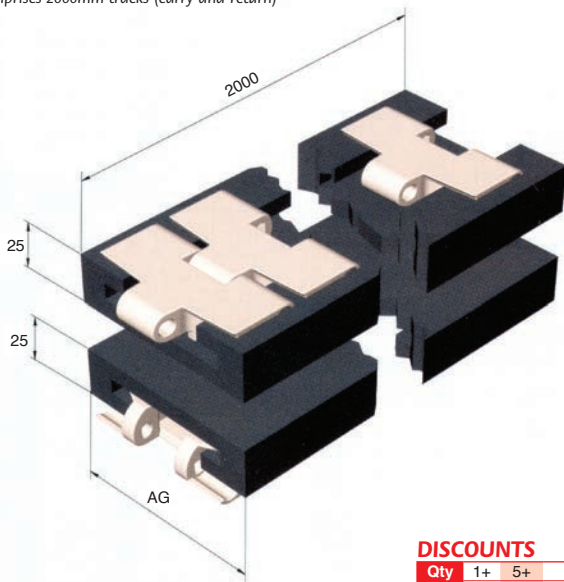
GDR880T

For chain ranges
880 TAB and 881 TAB

- Used to support and guide CAP880T and CAP881T/
SS plate chains
- Material:
Black DESLIDUR

Info.

- Comprises 2000mm tracks (carry and return)



DISCOUNTS

Qty	1+	5+	10+
Disc.	List	-5%	On request

Part number	For chain	AG (mm)	Length (mm)	Weight (kg)	Price each 1 to 4
GDR880T-82	CAP880T-82 CAP881T-82/SS	100	2000	5,9	266,45 €
GDR880T-114	CAP880T-114 CAP881T-114/SS	130	2000	8,8	345,92 €

Dimensions in mm

Our other products



SVT15
Screwjack with travelling screw, with translating screw



ACLEPP
Right angled bracket for aluminium profile, 4 holes



NSP
Right angled support clamp, Right angled support clamp



OP2
Mechanical digital position indicator, 3 numbers



PPOss
Pad eye on mounting plate oval, Stainless steel



ACL-PL
Joining plate for aluminium profile, Joint plate - 176x86 mm



CQA30
Adjustment slide-system miniature, 30



DZY
Cylindrical stop, Steel



BOXbeta
Box of assorted hitch pins, Boxed set - hitch



SH4
Parallel axis helical gear, Steel 20NCD2



SH1
Parallel axis helical gear, Machined plastic



SH0
Parallel axis helical gear, Steel 20NCD2

Complementary products



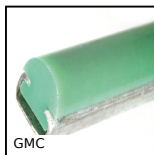
CAP880
Side flexing slim slat top chain acetal, Narrow range 880



CAP881
Side flexing slim slat top chain stainless steel, Narrow range 881



SDG
Adjustable guide support bracket, Plastic



GMC
Flat profile - Round guide, Flat profile - round guide