



# Curved track for plate chain

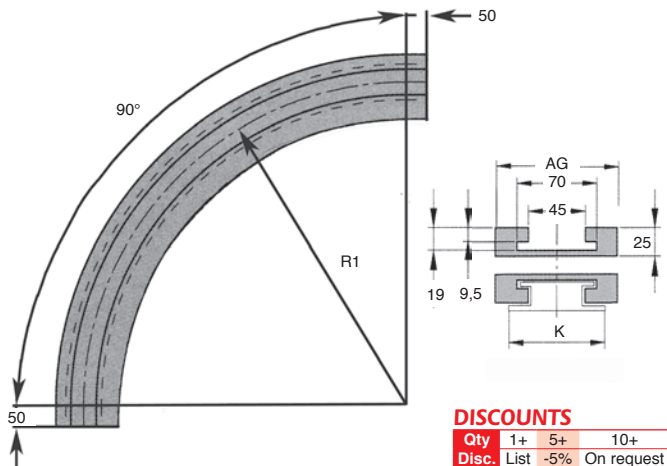
For chain ranges  
880 TAB and 881 TAB

GCB880T

- Used to support and guide CAP880T and CAP881T/SS plate chains
- Material  
High density Black DESLIDUR

## Info.

- Comprises 2 tracks (carry and return)



## DISCOUNTS

Qty	1+	5+	10+
Disc. List	-5%	On request	

Part number	For chain	AG (mm)	R1 (mm)	K (mm)	Weight (kg)	Price each 1 to 4
GCB880T-82	CAP880T-82 CAP881T-82/SS	100	500	82,5	2,4	142,36 €
GCB880T-114	CAP880T-114 CAP881T-114/SS	130	610	114,3	4,4	276,47 €

Dimensions in mm

## Our other products



PSG1

Spur gear - precision range, Case hardened steel 20NCD2



HG6

Steel spur gear, Steel 20NCD2



MHPGR

Arm with folding rotating handle,



M0

Worm and wheel set, Machined plastic (delrin)



HDSS

Needle roller double universal joint - Stainless steel, Heavy duty



ZG2

Plastic spur gear, Machined plastic (delrin)



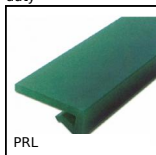
TOC

Short swivel head, Short



PRES

Manual workbench press accessory for PRES-3HR end PRES-4HR, Micromet...



PRL

Wear strip for slat top chain, L profile to be clipped



CDP

Flanged drill bushing, Steel



GE\_ET\_2RS

Spherical bushing, Hard chromium / Teflon contact with



PTAF80-PAMF80

Articulated fixable foot with pressed base  $\varnothing 80$ ,  $\varnothing 80$

## Complementary products



CAP880

Side flexing slim slat top chain acetal, Narrow range 880



CAP881

Side flexing slim slat top chain stainless steel, Narrow range 881



SDG

Adjustable guide support bracket, Plastic