



Curved track for plate chain

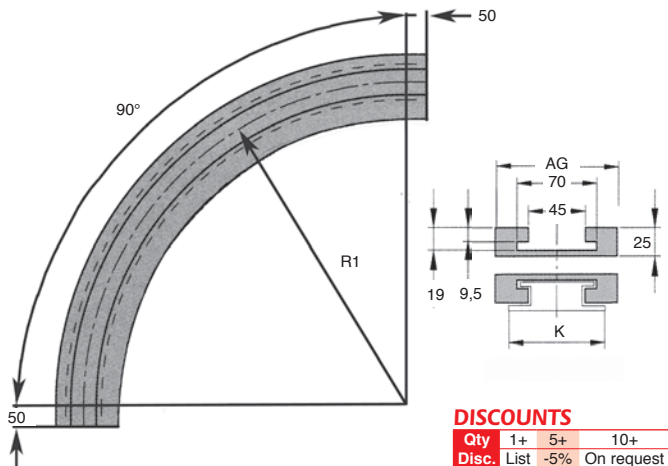
For chain ranges
880 TAB and 881 TAB

GCB880T

- Used to support and guide CAP880T and CAP881T/SS plate chains
- Material
High density Black DESLIDUR

Info.

- Comprises 2 tracks (carry and return)



DISCOUNTS

Qty	1+	5+	10+
Disc. List	-5%	On request	

Part number	For chain	AG (mm)	R1 (mm)	K (mm)	Weight (kg)	Price each 1 to 4
GCB880T-82	CAP880T-82 CAP881T-82/SS	100	500	82,5	2,4	142,36 €
GCB880T-114	CAP880T-114 CAP881T-114/SS	130	610	114,3	4,4	276,47 €

Dimensions in mm

Our other products



BOX-TOR-DRING

Box set of Nitrile D-rings NBR90Sh A, Flange seals



GP

Spring loaded toggle latch, Standard (GP22-GP23)



SSB

Stainless steel bevel gear, 1:1



BLH20

Right angled gearbox, from 0.53 to 1.77



PRES2HR

Manual workbench press, Force up to 200kg



MLY_SS

Stainless steel bow shackle with eye bolt, Stainless steel



VRC2

Retaining clamp, dual sided, Dual sided



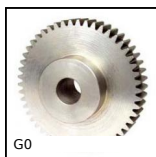
DOM120

Accessories, Turntable



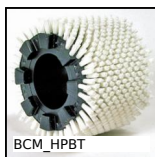
DGSI

Female rod ends, Steel / steel - Economy range



G0

Steel spur gear, Steel 20NCD2



BCM_HPBT

Modular cylindrical brush, PBT polyester bristles



MSP38

Masterplate® glueable insert Ø38, Cylindrical Ø38 with threaded s...

Complementary products



CAP880

Side flexing slim slat top chain acetal, Narrow range 880



CAP881

Side flexing slim slat top chain stainless steel, Narrow range 881



SDG

Adjustable guide support bracket, Plastic