

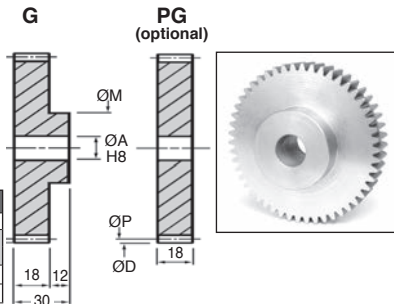
Module 1.75



- Precision class 9
- Pressure angle 20°
- Linear speed 300m/min

Steel 20NCD2

Torque and power indication				
For 50 teeth at 1000 rpm				
	20NCD2	20NCD2		
	Z10CNF18.09	hardened	brass	fibre
Nm	16	75	8	6.40
kW	1.72	7.83	0.86	0.67



DISCOUNTS

Qty	1+	6+	20+	40+
Disc. List	-12%	-25%	On request	

Part number	Teeth Z	PCD ØP	Outside ØD	Boss ØM	Bore ØA	Weight (kg)		Price each 1 to 5	
						G	PG	G	PG
G1.75-9	9	17,50	21,00	21,00	10	0,047	0,022	23,14 €	On request
G1.75-10	10	19,25	22,75	22,75	10	0,059	0,029	23,14 €	
G1.75-11	11	21,00	24,50	24,50	10	0,073	0,037	23,14 €	
G1.75-12	12	21,00	24,50	24,50	10	0,073	0,037	23,14 €	
G1.75-13	13	22,75	26,25	25,00	10	0,083	0,045	23,74 €	
G1.75-14	14	24,50	28,00	25,00	10	0,092	0,054	25,04 €	
G1.75-15	15	26,25	29,75	25,00	10	0,102	0,064	26,17 €	
G1.75-16	16	28,00	31,50	25,00	12	0,104	0,069	26,64 €	
G1.75-17	17	29,75	33,25	25,00	12	0,115	0,080	27,35 €	
G1.75-18	18	31,50	35,00	25,00	12	0,126	0,092	28,53 €	
G1.75-19	19	33,25	36,75	25,00	12	0,139	0,104	29,68 €	
G1.75-20	20	35,00	38,50	30,00	12	0,171	0,117	31,68 €	
G1.75-21	21	36,75	40,25	30,00	12	0,185	0,131	32,42 €	
G1.75-22	22	38,50	42,00	30,00	12	0,199	0,145	32,93 €	
G1.75-23	23	40,25	43,75	30,00	12	0,214	0,160	34,63 €	
G1.75-24	24	42,00	45,50	30,00	12	0,230	0,175	36,16 €	
G1.75-25	25	43,75	47,25	30,00	12	0,246	0,191	36,41 €	
G1.75-26	26	45,50	49,00	30,00	12	0,263	0,208	36,65 €	
G1.75-27	27	47,25	50,75	30,00	12	0,280	0,226	37,29 €	
G1.75-28	28	49,00	52,50	40,00	15	0,335	0,235	37,40 €	
G1.75-29	29	50,75	54,25	40,00	15	0,353	0,254	37,82 €	
G1.75-30	30	52,50	56,00	40,00	15	0,373	0,274	38,87 €	
G1.75-31	31	54,25	57,75	40,00	15	0,393	0,294	39,72 €	
G1.75-32	32	56,00	59,50	40,00	15	0,414	0,315	40,09 €	
G1.75-33	33	57,75	61,25	40,00	15	0,436	0,336	40,31 €	

Dimensions in mm

Part number	Teeth Z	PCD ØP	Outside ØD	Boss ØM	Bore ØA	Weight (kg) G PG		Price each 1 to 5 G PG	
G1.75-34	34	59,50	63,00	40,00	15	0,458	0,359	40,96	€
G1.75-35	35	61,25	64,75	40,00	15	0,481	0,382	41,04	€
G1.75-36	36	63,00	66,50	50,00	15	0,569	0,405	42,43	€
G1.75-37	37	64,75	68,25	50,00	15	0,593	0,429	44,36	€
G1.75-38	38	66,50	70,00	50,00	15	0,618	0,454	45,36	€
G1.75-39	39	68,25	71,75	50,00	15	0,644	0,480	46,67	€
G1.75-40	40	70,00	73,50	50,00	15	0,670	0,506	47,69	€
G1.75-41	41	71,75	75,25	50,00	15	0,697	0,533	48,37	€
G1.75-42	42	73,50	77,00	50,00	15	0,724	0,560	49,44	€
G1.75-43	43	75,25	78,75	50,00	15	0,752	0,588	51,31	€
G1.75-44	44	77,00	80,50	50,00	15	0,781	0,617	52,01	€
G1.75-45	45	78,75	82,25	60,00	20	0,858	0,628	52,75	€
G1.75-46	46	80,50	84,00	60,00	20	0,889	0,658	53,79	€
G1.75-47	47	82,25	85,75	60,00	20	0,919	0,689	54,76	€
G1.75-48	48	84,00	87,50	60,00	20	0,951	0,720	56,20	€
G1.75-49	49	85,75	89,25	60,00	20	0,983	0,752	58,32	€
G1.75-50	50	87,50	91,00	60,00	20	1,016	0,785	58,98	€
G1.75-51	51	89,25	92,75	60,00	20	1,049	0,818	60,46	€
G1.75-52	52	91,00	94,50	60,00	20	1,083	0,853	61,96	€
G1.75-53	53	92,75	96,25	60,00	20	1,118	0,887	63,54	€
G1.75-54	54	94,50	98,00	80,00	20	1,356	0,923	68,58	€
G1.75-55	55	96,25	99,75	80,00	20	1,392	0,959	70,61	€
G1.75-56	56	98,00	101,50	80,00	20	1,428	0,996	73,64	€
G1.75-57	57	99,75	103,25	80,00	20	1,466	1,033	76,01	€
G1.75-58	58	101,50	105,00	80,00	20	1,504	1,071	78,35	€
G1.75-59	59	103,25	106,75	80,00	20	1,543	1,110	80,87	€
G1.75-60	60	105,00	108,50	80,00	20	1,582	1,149	84,14	€
G1.75-62	62	108,50	112,00	80,00	20	1,663	0,230	86,21	€
G1.75-64	64	112,00	115,50	80,00	20	1,746	1,314	88,74	€
G1.75-65	65	113,75	117,25	80,00	20	1,789	1,356	91,52	€
G1.75-66	66	115,50	119,00	80,00	20	1,833	1,400	94,34	€
G1.75-68	68	119,00	122,50	80,00	20	1,921	1,489	97,09	€
G1.75-70	70	122,50	126,00	100,00	20	2,272	1,580	99,75	€
G1.75-71	71	124,25	127,75	100,00	20	2,319	1,627	101,16	€
G1.75-72	72	126,00	129,50	100,00	20	2,367	1,674	103,05	€
G1.75-73	73	127,75	131,25	100,00	20	2,415	1,722	104,56	€
G1.75-74	74	129,50	133,00	100,00	20	2,463	1,771	106,13	€
G1.75-75	75	131,25	134,75	100,00	20	2,513	1,820	107,70	€
G1.75-76	76	133,00	136,50	100,00	20	2,563	1,870	109,26	€
G1.75-78	78	136,50	140,00	100,00	20	2,665	1,972	117,78	€
G1.75-80	80	140,00	143,50	100,00	20	2,769	2,077	124,72	€
G1.75-86	86	150,50	154,00	100,00	20	3,099	2,407	140,26	€
G1.75-90	90	157,50	161,00	100,00	20	3,333	2,640	153,55	€
G1.75-96	96	168,00	171,50	100,00	20	3,702	3,010	169,89	€
G1.75-98	98	171,50	175,00	100,00	20	3,831	3,139	176,75	€
G1.75-100	100	175,00	178,50	100,00	20	3,962	3,270	184,54	€
G1.75-105	105	183,75	187,25	100,00	20	4,302	3,609	On request	
G1.75-110	110	192,50	196,00	100,00	20	4,658	3,965	On request	
G1.75-115	115	201,25	204,75	100,00	20	5,031	4,338	On request	
G1.75-120	120	210,00	213,50	100,00	20	5,420	4,727	On request	

On request

↓ **Gears available up to this size** ↓

G1.75-335	335	586,25	589,75	Dimensions: contact us	On request
------------------	------------	---------------	---------------	-------------------------------	-------------------

Dimensions in mm

Our other products



Free roller, Steel



Arm with rotating handle, Square bore



Worm and wheel gear reducer, up to 118 Nm



Angular clamp, Universal



Lip seal for panel, Door seal - Ø 5mm



Half-rail guide, Rail



Boxed set of threaded dowel pins DIN7979D, Boxed set - extractable D...



Manual locking clamp, Manual locking clamp LRX



Tools Hygienic Usit® and Hygienic Design®, Socket for



Parallel axis helical gear, Machined plastic (delrin)



Male clevis end, Steel short



Manual locking clamp, Manual locking clamp T

Complementary products



HEAVY DUTY spur gear, Steel 35NCD6



Steel spur gear, Steel 20NCD2