

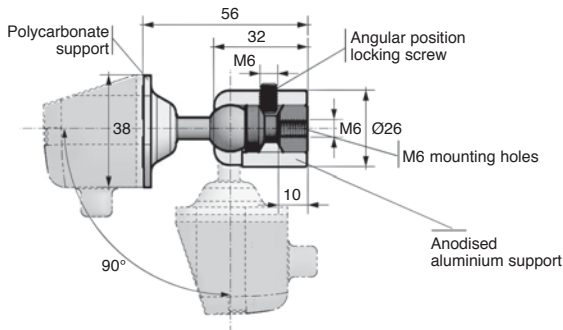
New

Multifunction display

Articulated support

F7SN

- Adjustable support bracket allowing view from any position
- Material:
Brilliant grey polycarbonate
Anodised aluminium base

NEW!**DISCOUNTS**

Qty	1+	3+
Disc	List	On request

Part number

F7-SN

Type

Articulated support

Price each
1 to 2

71,46 €

Dimensions in mm

Our other products



H1

Crossed helical gear
crossed axis at 90°,
Steel 20NCD2



T39_T49

Extension spring in
metre length steel, by
the metre



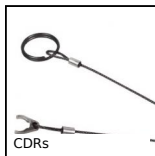
ACL-APB

Closing system for
aluminium profile,
Magnetic door stop



CSSSS

Stainless steel
spherical bearing,
Stainless steel / PTFE



CDRs

Retaining cable for
ball pin, Retaining
cable



GSA_A

Adjustable gas spring,
Steel



ETQ

Magnetic label holder
for aluminium profile,
Label holder



CHB

Feet, For CHB gearbox



FDS

Flexible drive shaft,
Masterflex® Steel,



AT5M AT10M

AT type timing belt
per metre, AT10 Steel



GTC

Belt tensioner, For
standard applications



DB

Steel bevel gear, 2:1

Complementary products



F7-I

Multifunction display,
With internal sensor



F7-SF-SM

Multifunction display,
Mounting bracket for
front mounting