

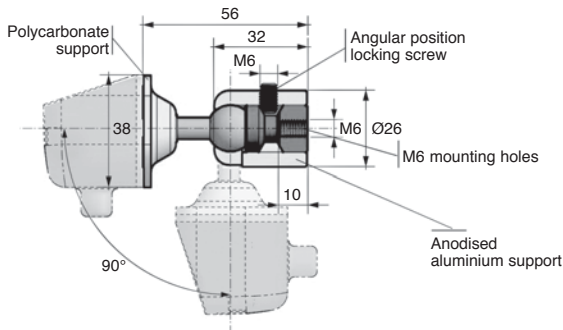
New

Multifunction display

Articulated support

F7SN

- Adjustable support bracket allowing view from any position
- Material:
Brilliant grey polycarbonate
Anodised aluminium base

NEW!**DISCOUNTS**

Qty	1+	3+
Disc	List	On request

Part number

F7-SN

Type

Articulated support

Price each
1 to 2

71,46 €

Dimensions in mm

Our other products



SVR15
Screwjack with travelling nut, with moving nut



CMAss
Eye bolt stainless steel, Stainless steel



PCS62SS
Chain sprocket - Stainless steel, 15.875mm (DIN 08B-1)



CHT
Asynchronous AC Motor 1.1 to 1.85kW, 1.1 to 1.85kW



VELM4
Screw-on base for hook-and-loop strip, Polyamide



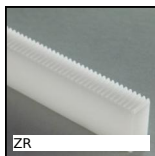
RJUM05
Drylin R® linear bearing housing, Closed - Long



HDSS
Needle roller double universal joint - Stainless steel, Heavy duty



BLH30
Right angled gearbox, from 1.32 to 4.40 Nm



ZR
Plastic rack, Delrin



TIFss
Threaded stud - DIN976A, Stainless steel



PRF-SRA-78
Lock for aluminium profile, Quick fitting, self locking door lock



HTD5M_25
HTD Heavy duty timing pulley, HTD5 Steel

Complementary products



F7-I
Multifunction display, With internal sensor



F7-SF-SM
Multifunction display, Mounting bracket for front mounting