

Simple support base (bipod)



ESSB

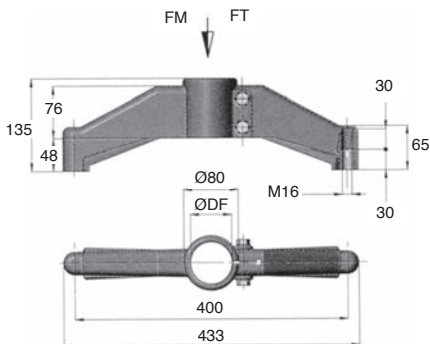
Plastic

- **Bipod support base**
- Component for conveyor structure
- For round tube
- **Materials**
 - Body: Reinforced polyamide
 - Inserts: Nickel brass
 - Screws: stainless steel



Accessories

- Compatible **PR** Feet



DISCOUNTS

Qty	1+	5+	10+
Disc.	List	-5%	On request

Part number	ØDF	Max. load resistance FM (N)	Max. working load FT (N)	Weight (kg)	Stock*	Price each 1 to 4
ESSB-42	42,4	12000	8000	1,03	-	39,45 €
ESSB-48	48,3	12000	8500	1,01	-	39,45 €
ESSB-50	50,9	12000	9000	0,99	-	39,45 €
ESSB-60	60,3	12000	10000	0,97	✓	39,45 €

*Depending on availability - Dimensions in mm

Our other products



Spherical bushing,
Steel / steel



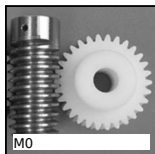
Swivel castor with
central hole, Steel -
rubber - with double
brake



Right angle spiro
bevel gearbox, Up to
78Nm



Joint for guiding
profile, Rounded



Worm and wheel set,
Machined plastic
(delrin)



Accessories, Turntable



Machined plastic
bevel gear, 1:1



Universal adjustable
guide support
bracket, Stainless
steel



Self-centering locking
assembly, High torque



Machined plastic
bevel gear, 2:1



Worm and wheel gear
reducer, up to 540
Nm



Male swivelling lifting
rings stainless steel,
Male swivelling - s...

Complementary products



Articulated foot Ø40,
Ø 40



Tripod support base,
Tripod support base