

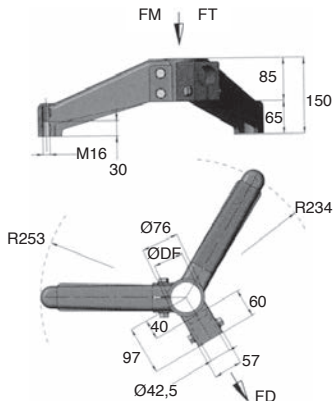
- **Combined bipod support part**
- Component for conveyor structure
- For round tube
- Materials
 - Body: Reinforced polyamide
 - Inserts: Nickel brass
 - Screws: stainless steel

Accessories

- Compatible **PR** Feet



Typical application



DISCOUNTS

Qty	1+	5+	10+
Disc.	List	-5%	On request

Part number	ØDF	Max. load resistance. FM (N)	Max. sliding force FD(N)	Max. working load FT (N)	Weight (kg)	Stock*	Price each 1 to 4
ESCB-42	42,4	13000	7500	7500	1,60	✓	45,70 €
ESCB-48	48,3	13000	7500	8000	1,60	✓	45,70 €
ESCB-50	50,9	13000	7500	8500	1,60	-	46,91 €
ESCB-60	60,3	13000	7500	9000	1,60	-	45,70 €

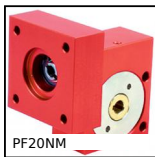
*Depending on availability - Dimensions in mm

Our other products



PRF-P

Aluminium profile feet support, For feet or casters



PF20NM

Worm and wheel gear reducer, up to 5 Nm



HRV

V-rail guidance Simple Select® system, Rail with carriage



PSG085

Spur gear - precision range, Stainless steel 303



GE32

Sprung toggle latch with connecting link, Standard



MRA

Quick link, Steel



NK17

Drylin®N miniature guiding system, Width 17 mm



KB_OP

Open precision linear bearing, Precision - steel



GLB

Small 6 lobe threaded handle - female,



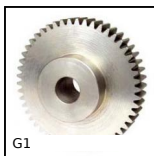
SH2

Parallel axis helical gear, Steel 20NCD2



PR880

Idler sprocket for slat top chain, Range 880



G1

Steel spur gear, Steel 20NCD2

Complementary products



PR40

Articulated foot Ø40, Ø 40



ESSB

Bipod support base, Bipod support base