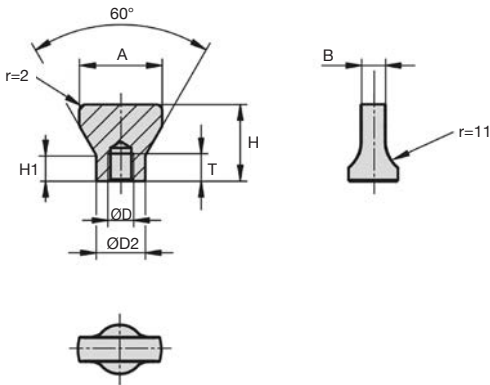


- **Wide wing nut, manual operation**
- Allows a threaded connection to be made very easily
- Tool-free handling
- Fully polished surface
- Material:
Stainless steel 1.4404 (316L)
Polished finish < Ra 0.8 µm

Advantages

- Good grip
- Polished surface allows for easy cleaning, dirt or residue from products or cleaners will not adhere.



DISCOUNTS

Qty	1+	5+	10+	25+
Disc	Net	-5%	-10%	On request

Part N°	ØD	ØD2	A	B	H	H1	T	Price each
								1 to 4
EPL-4/HDSS	M4	9	20	4,5	20	5,0	6	15,21 €
EPL-5/HDSS	M5	10	22	4,5	22	5,9	6	15,76 €
EPL-6/HDSS	M6	12	25	5,5	22	5,0	7	16,30 €
EPL-8/HDSS	M8	16	27	8,0	25	8,5	9	17,01 €
EPL-10/HDSS	M10	20	30	10,0	30	10,0	11	18,99 €

All dimensions in mm

Fax 0 825 88 6000
Service 0,15 € / min
+ prix appel

Our other products



PW_PWG1

Worm - precision range, Steel



CDPC

Flanged drill bushing, Steel



COA-COG

Gas spring, Surface mounting plate for ball joint



PGB

Tools, Tool holder



GAL

Free roller, Tube end roller



F7-P-AM

Multifunction display, Magnetic band



QNJ

Cylindrical roller bearing, Single flange on inner ring



CHT80

3 phase AC asynchronous motor, 0.55 to 1.1kW



PWDL_PWGDL25

Worm - precision range, Peek



CHAC4040NP

Hinge, Square with riveted pin, not drilled



MEB-ALI

Moulded plastic bevel gear (blue nylon), 1:1



PR881

Idler sprocket, Range 881

Complementary products



EPE

Wing nuts Hygienic Design®, Narrow