

Narrow wing nuts



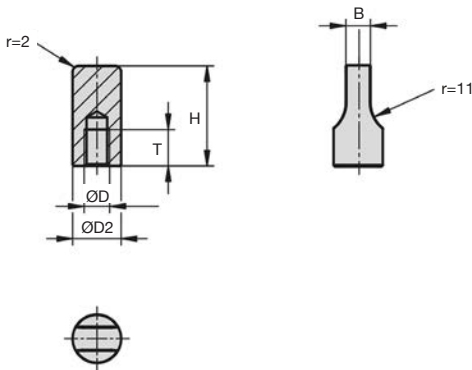
EPEHDSS

Hygienic Design®

- **Narrow wing nut, manual operation**
- Allows a threaded connection to be made very easily
- Tool-free handling
- Fully polished surface
- Material:
Stainless steel 1.4404 (316L)
Polished finish <math>< Ra 0.8 \mu m</math>

Advantages

- Polished surface allows for easy cleaning
- Dirt or residue from products or cleaners will not adhere.



DISCOUNTS

Qty	1+	5+	10+	25+
Disc	Net	-5%	-10%	On request

Part N°	ØD	ØD2	H	B	T	Price each
						1 to 4
EPE-4/HDSS	M4	9	20	4,5	6	11,69 €
EPE-5/HDSS	M5	10	22	4,5	6	12,12 €
EPE-6/HDSS	M6	12	22	5,5	7	13,20 €
EPE-8/HDSS	M8	16	25	8,0	9	13,62 €
EPE-10/HDSS	M10	20	30	10,0	11	14,52 €

All dimensions in mm

Our other products



STRIP

Sealing brush strip,
3m length



TBL

Mini leadscrew table
with metric thread,
1kg



GG2

Ground spur gear,
Heat treated steel



AC156-157

Strike for toggle latch,
25.5mm



T5P_T10P

Connecting plate for T
type timing belts, T10



CHML50

Worm and wheel gear
reducer, up to 107
Nm - Integrated
torque limiter



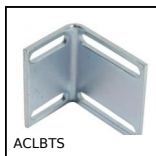
AT5P_AT10P

Connecting plate for
AT type timing belts,
AT10



BPPL

Assembly tool for
carrier ball, Mounting
tool



ACLBTS

Closing system for
aluminium profile, 90°



PSG055

Spur gear - precision
range, Stainless steel



RHTplss

High Temperature
Castor, up to 200kg



CLB_M

Die cast zinc clamping
lever - female, Zamak

Complementary products