

EKN **GERWAH** Couplings for servo-motors Torque: 0.5 to 12Nm

- Backlash and maintenance free
- Materials:
 - Hub: anodised aluminium
 - Bellows: stainless steel
- Angular misalignment from 1.2° to 2° depending on the length
- High torsional rigidity
- Low moment of inertia
- Shaft/bore link without backlash
- Recommended assembly tolerances H7/g6
- Max speed: 15,000 rpm
- Working temperature -30°C to +100°C
- **Please specify bore size on order (between min and max Ø)**

Set screw fixing



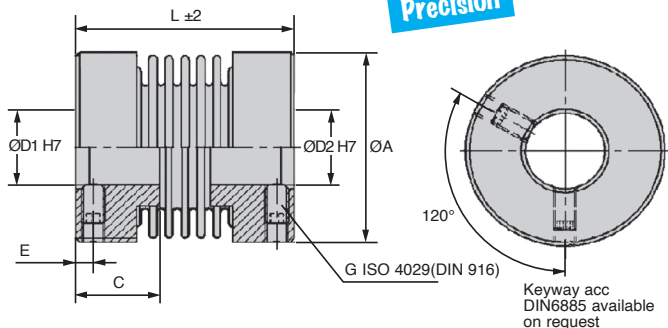
Options

- Keyway according to DIN6885 on request (tolerance JS9)
- Orientation of the keyways at 180° to each other
- Stainless steel version on request

Part number	Misalignment		Torsional stiffness C_t dyn (10^3 Nm/rad)	Moment of inertia J (g cm ²)	Tightening torque (Screw) (Nm)	Weight (g)
	radial (ΔK_r) (mm)	axial (ΔK_a) (mm)				
EKN4-20	0,10	0,20	0,25	2,0	0,5	5
EKN4-23	0,15	0,30	0,19	2,0	0,5	6
EKN4-26	0,20	0,40	0,50	2,0	0,5	7
EKN9-21	0,10	0,20	0,50	2,0	0,5	6
EKN9-25	0,15	0,30	0,38	2,3	0,5	7
EKN9-28	0,20	0,40	0,30	2,6	0,5	8
EKN15-25	0,10	0,25	0,75	7,5	1,5	12
EKN15-30	0,15	0,40	0,70	8,0	1,5	14
EKN20-26	0,10	0,30	1,50	14,0	1,5	16
EKN20-32	0,20	0,40	1,30	16,0	1,5	18
EKN20-36	0,25	0,50	1,00	17,0	1,5	20
EKN45-39	0,10	0,30	6,50	68,0	3,0	48
EKN45-48	0,20	0,50	4,00	73,0	3,0	52
EKN100-44	0,15	0,40	8,10	200,0	3,0	48
EKN100-54	0,25	0,50	6,70	220,0	3,0	58

Dimensions in mm

High Precision



DISCOUNTS

Qty	1+	2+	4+
Disc.	List	-6%	On request

Part number	øD1/øD2 (H7)	øA	C	L	G (DIN 916)	E (mm)	Nominal torque (Nm)	Price each	
								No keyway	With keyway
EKN4-20	3-9	16	6	20	M3	2,0	0,5	47,63 €	75,87 €
EKN4-23	3-9	16	6	23	M3	2,0	0,5	47,63 €	75,87 €
EKN4-26	3-9	16	6	26	M3	2,0	0,5	47,63 €	75,87 €
EKN9-21	3-9	16	6	21	M3	2,0	1,1	47,63 €	75,87 €
EKN9-25	3-9	16	6	25	M3	2,0	1,1	47,63 €	75,87 €
EKN9-28	3-9	16	6	28	M3	2,0	1,1	47,63 €	75,87 €
EKN15-25	3-12	20	10	25	2 x M4	3,0	1,75	47,63 €	75,87 €
EKN15-30	3-12	20	10	30	2 x M4	3,0	1,75	47,63 €	75,87 €
EKN20-26	3-16	25	11	26	2 x M3	2,0	2,4	47,63 €	75,87 €
EKN20-32	3-16	25	11	32	2 x M3	2,0	2,4	47,63 €	75,87 €
EKN20-36	3-16	25	11	36	2 x M3	2,0	2,4	47,63 €	75,87 €
EKN45-39	6-22	33	16	39	2 x M6	4,0	5,5	67,95 €	94,06 €
EKN45-48	6-22	33	16	48	2 x M6	4,0	5,5	67,95 €	94,06 €
EKN100-44	6-28	40	20	44	2 x M6	4,0	12	96,15 €	120,26 €
EKN100-54	6-28	40	20	54	2 x M6	4,0	12	96,15 €	120,26 €

Dimensions in mm

Our other products



BOX-TOR-DRING

Box set of Nitrile D-rings NBR90Sh A, Flange seals



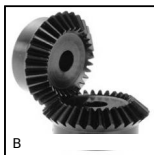
PML

Solid foot mount for heavy loads, Ø 100, 120 or 150



STU

Stroke rotary bushing, Steel



B

Steel bevel gear, 1:1



BAC110

Swivel storage bin, Adjustable support



VMS

Stainless steel knurled thumb screw, Knurled



CHAE3030PA

Square decorative screwed hinges, Polyamide



PR125

Articulated foot Ø123, Ø 123



DER63

Stainless steel AC asynchronous motor 0.18 kW, 0.18kW



SEH

Horizontal stirrup toggle clamp, Horizontal stirrup



HK

Manual locking clamp, Manual locking clamp T



CHTRP

Single and dual output gearboxes, Up to 87,3 Nm

Complementary products



DFN

Bellows coupling Gerwah®, from 0.4 to 10Nm



AKD

Bellows coupling Gerwah®, from 22 to 600Nm



MFB

Flexible bellows coupling, Aluminium and Bronze - With set screw