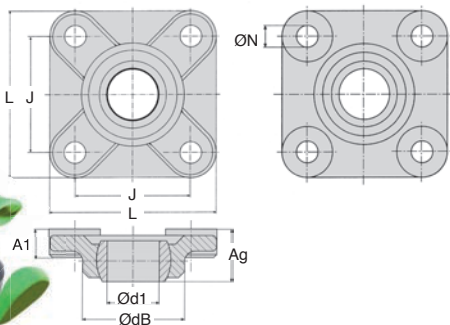


- Self-aligning polymer flange unit
- Housing in igumid®, a corrosion-resistant, non deforming material
- Ring in iglidur® W300, an extremely wear-resistant material
- Simple assembly
- Compensates for alignment errors
- 100% corrosion resistant
- Very light-weight
- Dry-working without maintenance

Maintenance free



DISCOUNTS

Qty	1+	6+	20+	40+	60+
Disc.	List	-10%	-15%	-20%	On request

Part number	Ød1 E10	ØdB	L	J ^{±0,1}	A1	Ag	Oblong hole N	Stock*	Price each 1 to 5
EFSM-05	5	14,0	25	17	4,5	8,5	3,2	✓	7,70 €
EFSM-06	6	14,0	25	17	4,5	8,5	3,2	✓	8,06 €
EFSM-08	8	18,0	33	22	5,5	10,5	4,3	✓	8,48 €
EFSM-10	10	22,0	38	26	6,5	12,0	5,3	✓	10,17 €
EFSM-12	12	25,0	40	28	7,0	13,0	5,3	✓	12,72 €
EFSM-15	15	30,0	49	34	8,5	15,5	6,4	-	22,78 €
EFSM-16	16	32,5	52	36	9,0	16,5	6,4	✓	15,93 €
EFSM-17	17	35,0	54	38	10,0	18,0	6,4	-	27,21 €
EFSM-20	20	40,0	65	45	11,0	20,0	8,4	✓	26,57 €
EFSM-25	25	48,5	74	52	14,0	25,0	8,4	✓	34,54 €
EFSM-30	30	55,0	85	60	15,0	26,0	10,5	✓	44,97 €

*Depending on availability - Dimensions in mm

Our other products



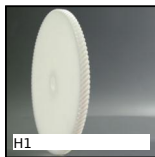
CAP880

Side flexing slim slat
top chain acetal,
Narrow range 880



PRF-SCREEN-5

Screen support,
Support with 5 axes of
rotation



H1

Crossed helical gear
crossed axis at 90°,
Machined plastic
(delrin)



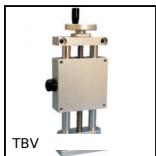
BABam

Self-locking ball pin
lifting ring for
threaded hole, Self-
locking



AT10courroie

AT type timing belt,
AT10 Steel cored
polyurethane



TBV

Manual lifting tables,
20kg



PCS8ECO

Chain sprocket - steel,
8mm (DIN 05B-1)



PPD

Indexing plunger for
sheets, For sheet
metal



TB8

Cylindrical roller
thrust bearing, Steel



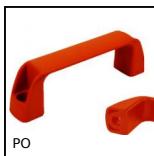
PLA

Flat magnet, Flat
magnet



SCR

Suction cup threaded
insert, Adaptor for



PO

Pull handle - Multi-
sector, Smooth hole

Complementary products



KSTM

Igubal® pillow block
bearing, Polymer



SBF

Open flange bearing
unit for food industry,
cover



SBF

Sealed flange bearing
unit for Food Industry,
cover