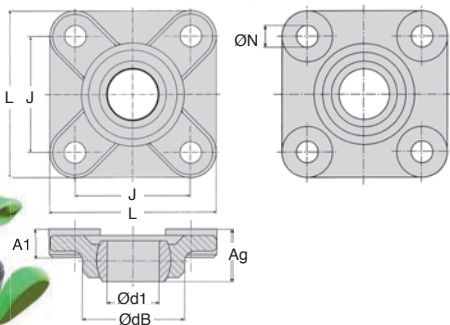


- Self-aligning polymer flange unit
- Housing in igumid®, a corrosion-resistant, non deforming material
- Ring in iglidur® W300, an extremely wear-resistant material
- Simple assembly
- Compensates for alignment errors
- 100% corrosion resistant
- Very light-weight
- Dry-working without maintenance

**Maintenance free**



### DISCOUNTS

Qty	1+	6+	20+	40+	60+
Disc.	List	-10%	-15%	-20%	On request

Part number	Ød1 E10	ØdB	L	J <sup>±0,1</sup>	A1	Ag	Oblong hole N	Stock*	Price each 1 to 5
EFSM-05	5	14,0	25	17	4,5	8,5	3,2	✓	7,70 €
EFSM-06	6	14,0	25	17	4,5	8,5	3,2	✓	8,06 €
EFSM-08	8	18,0	33	22	5,5	10,5	4,3	✓	8,48 €
EFSM-10	10	22,0	38	26	6,5	12,0	5,3	✓	10,17 €
EFSM-12	12	25,0	40	28	7,0	13,0	5,3	✓	12,72 €
EFSM-15	15	30,0	49	34	8,5	15,5	6,4	-	22,78 €
EFSM-16	16	32,5	52	36	9,0	16,5	6,4	✓	15,93 €
EFSM-17	17	35,0	54	38	10,0	18,0	6,4	-	27,21 €
EFSM-20	20	40,0	65	45	11,0	20,0	8,4	✓	26,57 €
EFSM-25	25	48,5	74	52	14,0	25,0	8,4	✓	34,54 €
EFSM-30	30	55,0	85	60	15,0	26,0	10,5	✓	44,97 €

\*Depending on availability - Dimensions in mm

## Our other products



HLUss

Spoked handwheel,  
Stainless steel 316



BVR

Adjustable screw stop,  
Steel



RBNtc

Swivel castor with  
central hole, Steel -  
rubber



RVM25

Manually operated  
gearbox, Bevel



GCA

Linch pin, Linch



MDB\_MTB

Moulded plastic bevel  
gear (nylon), 2:1



CAP882

Flexible slat top chain  
acetal, Large range  
882



BOX-TOR-C

Box set of Nitrile O-  
rings in nitrile, 3.00 x  
1.50mm to 30.20 x  
3.00



SVR15

Screwjack with  
travelling nut, with



HLC19

Right angle spiro  
bevel gearbox, Up to



SSDB

Stainless steel bevel  
gear, 2:1



MDB\_MTB

Moulded plastic bevel  
gear (nylon), 3:1

## Complementary products



KSTM

Igubal® pillow block  
bearing, Polymer



SBF

Open flange bearing  
unit for food industry,  
cover



SBF

Sealed flange bearing  
unit for Food Industry,  
cover