

# Friction torque limiter



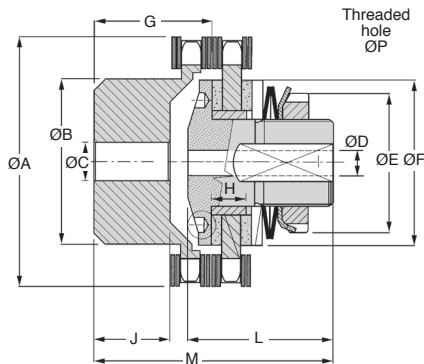
## DSF

## Torque up to 2,600Nm

- Adjustable torque limiter
- Chain coupled limiter
- Limiter with slip friction disc
- Can be supplied pre-bored or solid
- Max. speed: 100 rpm
- Materials:  
Steel EN10083-2

### Options

- Bore-size and keyway



Part number	ØA	ØB	ØE	ØF	G	H	J	L	M	ØP	Q
DSF025-4-20	41	23	22	25	13	5,5	9,0	26	36,0	M3	3
DSF038-5-35	58	37	32	38	28	8,0	20,0	33	56,0	M3	3
DSF050-12-60	75	50	44	50	28	8,0	19,0	35	59,0	M4	4
DSF170-26-100	101	70	63	70	40	10,0	29,0	55	87,0	M4	4
DSF290-70-300	126	90	82	90	60	15,0	48,0	60	112,5	M6	6
DSF311-240-580	157	110	105	115	70	17,0	57,5	70	131,0	M6	6
DSF414-400-1200	198	130	139	140	70	21,0	59,5	80	152,0	M6	6
DSF517-450-2600	223	130	160	170	100	25,0	90,5	95	192,0	M8	8

Dimensions in mm

**HPC**

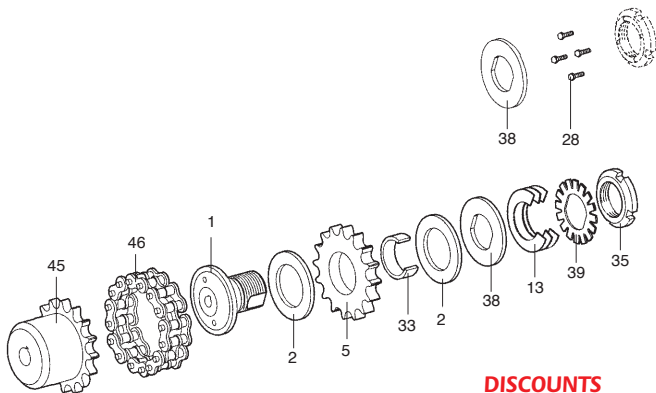
WEB  
04/2020

[www.hpceurope.com](http://www.hpceurope.com)

Tél: 0 825 88 5000 Service 0,15 €/min + prix appel

## Parts

- 1 - Flange clamp hub
- 2 - Friction disc
- 5 - Toothed crown
- 13 - Axial spring
- 28 - Adjustment screw
- 33 - Sliding ring
- 35 - Notched locknut
- 38 - Mobile flange
- 39 - Toothed washer
- 45 - Pre-bored chain pinion
- 46 - Double chain



## DISCOUNTS

Qty	1+	50+
Disc.	List	On request

Part number	ØC (mm)		ØD (mm)		Torque (Nm)	Stock*	Price each
	Prebore Ø	Max. Ø	Prebore Ø	Max. Ø			
DSF025-4-20	7	12	-	8	4-20	✓	134,82 €
DSF038-5-35	10	20	5	12	5-35	✓	162,24 €
DSF050-12-60	12	24	8	20	12-60	✓	234,62 €
DSF170-26-100	16	30	10	25	26-150	✓	240,44 €
DSF290-70-300	20	42	14	38	70-300	-	339,40 €
DSF311-240-580	20	50	18	45	240-580	-	587,36 €
DSF414-400-1200	28	60	24	55	400-1200	-	1 030,93 €
DSF517-450-2600	30	68	28	65	450-2600	-	1 149,28 €

\*Depending on availability - Dimensions in mm

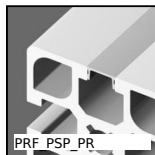
## Our other products



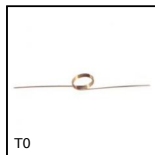
PDM\_PDV  
Detectable plastic palm grip, blue thermoplastic



MSP23  
Masterplate® glueable insert Ø23, Cylindrical Ø23 with tapped ins...



PRF PSP\_PR  
Dual purpose strip and cover for aluminium profile, Inserts into slot



T0  
Torsion spring, Stainless steel



TM\_CTM\_CTF  
Suction cup threaded insert, Insert for suction cup - Tread click-in



FF50  
Offset spur gear reducer, from 111 to 425 Nm



VB  
Small 6 lobe threaded handle - female, Duroplast - Brass



KB\_OP  
Open precision linear bearing, Precision - steel



MHX  
Hexagonal threaded sleeve, Hexagonal - steel



FF30  
Offset spur gear reducer, from 21.50 to 83 Nm



MLY\_SS  
Stainless steel bow shackle with eye bolt, Stainless steel



PO  
Pull handle - Multi-sector, Tapped recessed insert

## Complementary products



LC  
Friction clutch, 30 to 240 Nm



LC  
Friction clutch, 190 to 1800 Nm



VTA  
Vari-Tork® slip friction clutch, 0.53 to 1.32 Nm



VT  
Vari-Tork® slip friction clutch, 0.53 to 1.32 Nm