

Friction torque limiter



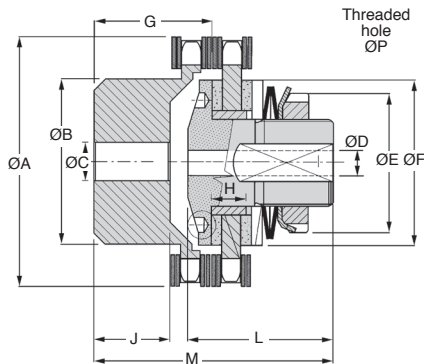
DSF

Torque up to 2,600Nm

- Adjustable torque limiter
- Chain coupled limiter
- Limiter with slip friction disc
- Can be supplied pre-bored or solid
- Max. speed: 100 rpm
- Materials:
 - Steel EN10083-2

Options

- Bore-size and keyway

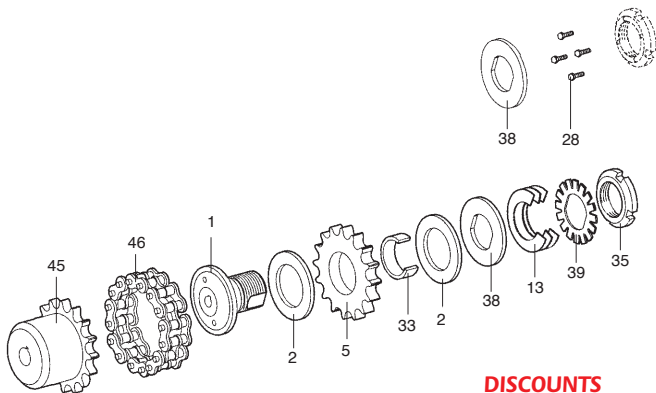


Part number	ØA	ØB	ØE	ØF	G	H	J	L	M	ØP	Q
DSF025-4-20	41	23	22	25	13	5,5	9,0	26	36,0	M3	3
DSF038-5-35	58	37	32	38	28	8,0	20,0	33	56,0	M3	3
DSF050-12-60	75	50	44	50	28	8,0	19,0	35	59,0	M4	4
DSF170-26-100	101	70	63	70	40	10,0	29,0	55	87,0	M4	4
DSF290-70-300	126	90	82	90	60	15,0	48,0	60	112,5	M6	6
DSF311-240-580	157	110	105	115	70	17,0	57,5	70	131,0	M6	6
DSF414-400-1200	198	130	139	140	70	21,0	59,5	80	152,0	M6	6
DSF517-450-2600	223	130	160	170	100	25,0	90,5	95	192,0	M8	8

Dimensions in mm

Parts

- 1 - Flange clamp hub
- 2 - Friction disc
- 5 - Toothed crown
- 13 - Axial spring
- 28 - Adjustment screw
- 33 - Sliding ring
- 35 - Notched locknut
- 38 - Mobile flange
- 39 - Toothed washer
- 45 - Pre-bored chain pinion
- 46 - Double chain



DISCOUNTS

Qty	1+	50+
Disc.	List	On request

Part number	ØC (mm)		ØD (mm)		Torque (Nm)	Stock*	Price each
	Prebore Ø	Max. Ø	Prebore Ø	Max. Ø			
DSF025-4-20	7	12	-	8	4-20	✓	134,82 €
DSF038-5-35	10	20	5	12	5-35	✓	162,24 €
DSF050-12-60	12	24	8	20	12-60	✓	234,62 €
DSF170-26-100	16	30	10	25	26-150	✓	240,44 €
DSF290-70-300	20	42	14	38	70-300	-	339,40 €
DSF311-240-580	20	50	18	45	240-580	-	587,36 €
DSF414-400-1200	28	60	24	55	400-1200	-	1 030,93 €
DSF517-450-2600	30	68	28	65	450-2600	-	1 149,28 €

*Depending on availability - Dimensions in mm

Our other products



GAC
Latch clamp with lock,
Lockable



LOQ
Manual lock, Manual
latch



METC
Flanged sintered
bronze bush, Self-
lubricating sintered
bronze



MCLred
Reducing sleeve
female/female,
Cylindrical - steel



CLASS
Stainless steel
indexing handle -
female, Stainless steel



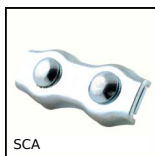
PSG1
Spur gear - precision
range, Case hardened
steel 20NCD2



H3
Crossed helical gear
crossed axis at 90°,
Steel 20NCD2



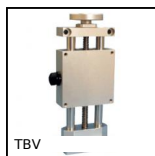
CLSCLP
Clevis components,
short version, Steel -
short range



SCA
Flat cable clamp,
Steel



VDS
Sliding lock
adjustment system,



TBV
Manual lifting tables,
3kg



GBS
Nut for ballscrew,
Flanged ballscrew nut

Complementary products



LC
Friction clutch, 30 to
240 Nm



LC
Friction clutch, 190 to
1800 Nm



VTA
Vari-Tork® slip
friction clutch, 0.53 to
1.32 Nm



VT
Vari-Tork® slip
friction clutch, 0.53 to
1.32 Nm