

# DOMINO rotary table



## DOMIMD

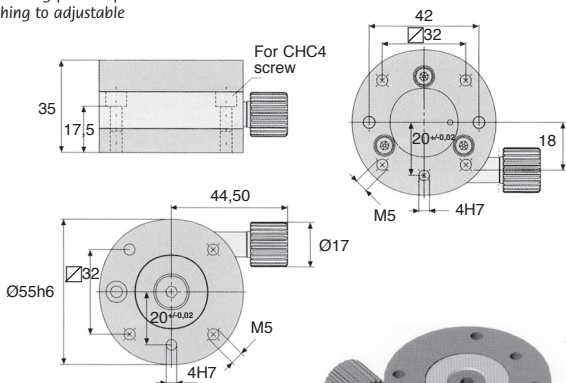
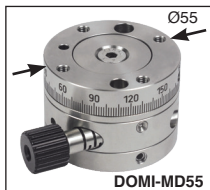
## For precise rotary positioning

- **Manually operated rotary table**
- Fast and accurate adjustment
- High position repeatability
- Principle: High-precision worm and wheel
- Fix using CHC4 screws
- Locking torque 10Nm
- Ratio: 55/1

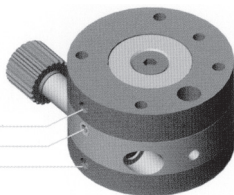
**Precise and rapid adjustment**

### Accessories

- **DOMI-M** mounting plate required when attaching to adjustable slides



Quick-positioning screw  
Lubrication hole  
Locking screw



### DISCOUNTS

Qty	1+	2+	3+
Disc.	List	-20%	On request

Part number	Rotation range	Max. torque input (Nm)	Max. torque on table (Nm)	Tolerance		Weight (kg)	Price each
				Concentricity (mm)	Flatness (mm)		
DOMI-MDV55	0 to +∞	1,5	5	+/- 0,02	+/- 0,02	0,61	873,93 €

Dimensions in mm

HPC

WEB  
04/2020

www.hpceurope.com

Tél: 0 825 88 5000 Service 0,15 €/min + prix appel



# DOMINO rotary table

For precise rotary positioning

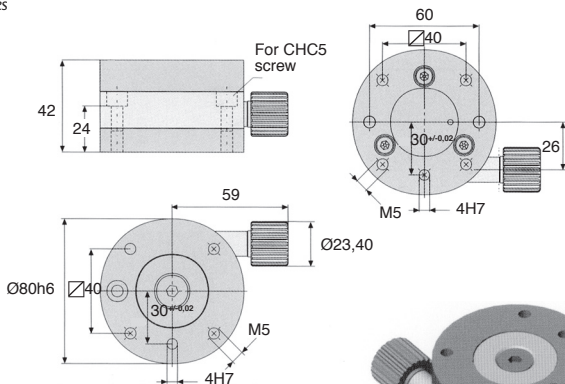
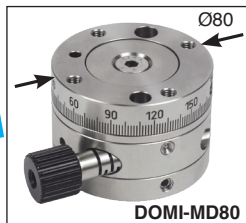
DOMIMD

- Manually operated rotary table
- Fast and accurate adjustment
- High position repeatability
- Principle: High-precision worm and wheel
- Fix using CHC4 screws
- Locking torque 10Nm
- Ratio: 40/1

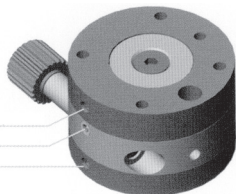
Precise and rapid adjustment

## Accessories

- DOMI-M mounting plate required when attaching to adjustable slides



Quick-positioning screw  
Lubrication hole  
Locking screw



## DISCOUNTS

Qty	1+	2+	3+
Disc.	List	-20%	On request

Part number	Rotation range	Max. torque		Tolerance		Weight (kg)	Price each
		input (Nm)	on table (Nm)	Concentricity (mm)	Flatness (mm)		
DOMI-MDV80	0 to +∞	2,5	5	+/- 0,03	+/- 0,03	1,60	1 495,11 €

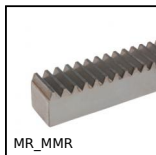
Dimensions in mm

## Our other products



NT121

Spur gear coaxial gearbox, from 20 to 68 Nm - Inline



MR\_MMR

Metric section rack, Steel



MFBC

Flexible Bellows coupling, Aluminium and Bronze - with clamping jaw



PRFSRAD

Dual lock for aluminium profile, Quick fitting, self locking door du...



PCF2

Conical flexible mount, Oval base plate



KKSS

Rounded end feather key, Stainless steel



EMS

Stainless steel knurled thumb nut, Knurled



MCL

Cylindrical threaded sleeve, Cylindrical - stainless steel



RPCtcss

Swivel castor with central hole, Stainless steel - Polyamide -



PRF\_PL\_4590

Joining plate for aluminium profile, Joint plate - 45x90



SBF

Sealed flange bearing unit for Food Industry, cover



PRES4HR

Manual workbench press, Force up to 600kg

## Complementary products



DOMI\_MD

Domino rotary table, 55/1



DOMI120

Domino 120 adjustable slide, Slide DOMILINE 120