



Motor-gearbox 12V and 24V DC

Torque from 4Nm to 9Nm

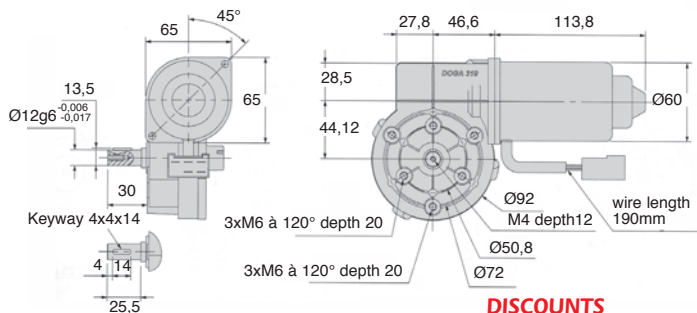
DOG319

- Gearbox type: worm
- Bearings: self-lubricating bushes
- Angular backlash: N/A
- Max. axial load: N/A
- Max. radial load: N/A
- Working temperature: -40°C to +80°C
- Weight 1.7kg
- Materials:
 - Screws: steel
- Wheel: POM



Accessories

- Servo Amplifier **FIRSTDC-1Q-60/10**
- Speed controller **NANODC-1Q-30/3**
- Power Supplies **ALIDR120-24, ALIDR240-24**



DISCOUNTS

Qty	1+	6+	10+
Disc.	List	-7%	On request

Part number	Ratios	No-load speed (rpm)	Loaded speed (rpm)	Nominal torque (Nm)	Nominal current (A)	Consistent card		Price each 1 to 5
						Nano	First	
12 V DC Version								
DOG319-12-15	81:1	18	15	9	3	No	Yes	214,91 €
DOG319-12-30	81:1	35	30	9	7	No	Yes	215,52 €
DOG319-12-45	81:1	50	45	8	6	No	Yes	214,91 €
DOG319-12-85	39:1	95	85	4	7	No	Yes	263,16 €
12 V DC Version								
DOG319-24-30	81:1	30	30	9	3	No	Yes	227,63 €
DOG319-24-45	81:1	45	45	9	3	No	Yes	203,94 €
DOG319-24-85	39:1	95	85	4	3,5	No	Yes	271,93 €

Dimensions in mm

Our other products



T39_T49

Extension spring in metre length steel, by the metre



PNA

PERIFLEX® elastic coupling, Complete coupling



PRF_FIX_ANG

Fastener for aluminium profile, Angular joint



PARF80

Pressed steel base rigid foot, Swivelling - Ø80



SDG

Adjustable guide support bracket, Plastic



TBbutee

Axial thrust bearing, Steel balls



UCF

Cast iron flange bearing unit, Cast iron



NCT_AT

Variable angle connector, Variable angle



KKB-AR

Linear bearing with inclined ball tracks, Standard loads / -20°



CHA1056-U4

Screwed hinge, 180°



BPL

Ball transfer unit light duty, Light



BABpss

301 Stainless steel ball pin, Stainless steel

Complementary products



FIRSTDC1Q60

Speed controller 10A, 10 A



ALIDR30

12 and 24V DC power supplies, 1,5 A and 2 A



MDPOT

Potentiometer,