



# Motor-gearbox 12V and 24V DC

Torque from 4Nm to 9Nm

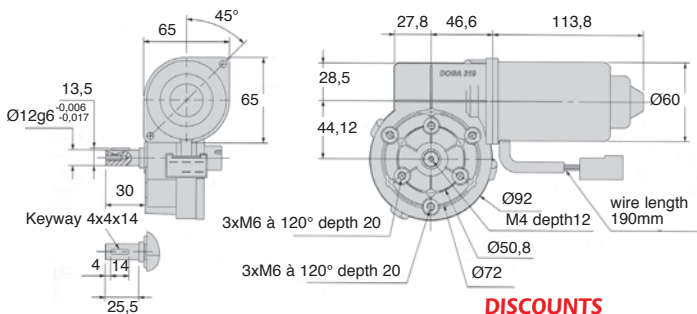
DOG319

- Gearbox type: worm
- Bearings: self-lubricating bushes
- Angular backlash: N/A
- Max. axial load: N/A
- Max. radial load: N/A
- Working temperature: -40°C to +80°C
- Weight 1.7kg
- Materials:
  - Screws: steel
- Wheel: POM



## Accessories

- Servo Amplifier **FIRSTDC-1Q-60/10**
- Speed controller **NANODC-1Q-30/3**
- Power Supplies **ALIDR120-24, ALIDR240-24**



## DISCOUNTS

Qty	1+	6+	10+
Disc.	List	-7%	On request

Part number	Ratios	No-load speed (rpm)	Loaded speed (rpm)	Nominal torque (Nm)	Nominal current (A)	Consistent card		Price each 1 to 5
						Nano	First	
<b>12 V DC Version</b>								
DOG319-12-15	81:1	18	15	9	3	No	Yes	214,91 €
DOG319-12-30	81:1	35	30	9	7	No	Yes	215,52 €
DOG319-12-45	81:1	50	45	8	6	No	Yes	214,91 €
DOG319-12-85	39:1	95	85	4	7	No	Yes	263,16 €
<b>12 V DC Version</b>								
DOG319-24-30	81:1	30	30	9	3	No	Yes	227,63 €
DOG319-24-45	81:1	45	45	9	3	No	Yes	203,94 €
DOG319-24-85	39:1	95	85	4	3,5	No	Yes	271,93 €

Dimensions in mm

## Our other products



ESCON

Speed controller 5A accessories, Kit of 4 cables for DC motor



DOG111

Motor-gearbox 12V and 24V DC, from 1.5 to 6 Nm



PCS6ECO

Chain sprocket - steel, 6mm (DIN 04-1)



BFM2

Flanged bronze nut, Bronze - 2 threads



LVT

Miniature motorised actuator 4A, 4 amperes



DH

Dowel pin, Solid DIN 6325



GE1006

Elastic ringed latch, Hooks into a slot



B3PAN

Panamech, Multi-Beam stainless steel, Stainless steel - with clampin...



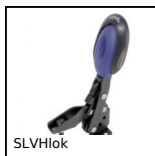
SA\_SAKH

Housing for linear bearing, Closed - light



CHMX\_CHMDX

Shaft for worm and wheel reducer CHMR



SLVHlok

Vertical toggle clamp, Vertical toggle clamp /



SH4

Parallel axis helical gear, Steel 20NCD2

## Complementary products



FIRSTDC1Q60

Speed controller 10A, 10 A



MDPOT

Potentiometer,