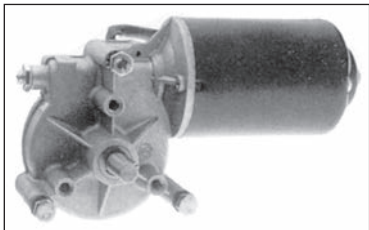


Motor-gearbox 12V and 24V **DC**

DOG111

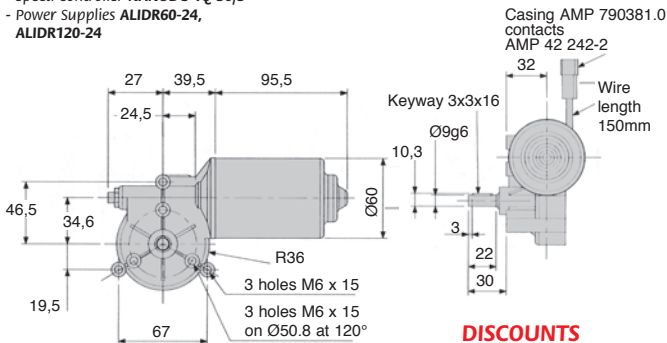
Torque from 1.5Nm to 6Nm

- Gearbox type: **worm and wheel**
- Bearing: self-lubricating bushes
- Angular backlash: N/A
- Max. axial load: N/A
- Max. radial load: N/A
- Working temp. from -40°C to +80°C
- Min. weight: 1.25kg
- Motor does not exhibit anti back drive behaviour for efficiencies less than 50%



Accessories

- Servo Amplifier **FIRSTDC-1Q-60/10**
- Speed controller **NANODC-1Q-30/3**
- Power Supplies **ALIDR60-24, ALIDR120-24**



DISCOUNTS

Qty	1+	6+	10+
Disc.	List	-7%	On request

Part number	Ratios	Efficiency (%)	Unloaded speed (rpm)	Load speed (rpm)	Nominal torque (Nm)	Courant nominal (A)	Consistent card	Price each 1 to 5
12 V DC Version								
DOG111-12-135	12,2:1	60	135	105	1,5	4,0	No Yes	251,58 €
DOG111-12-50	62,0:1	45	50	40	5,0	5,0	No Yes	135,44 €
DOG111-12-34	62,0:1	45	34	25	6,0	4,0	No Yes	135,44 €
DOG111-12-17	62,0:1	45	17	10	6,0	2,0	Yes Yes	138,23 €
12 V DC Version								
DOG111-24-270	12,2:1	60	270	240	1,5	4,0	No Yes	251,58 €
DOG111-24-78	62,0:1	45	78	70	3,0	3,0	Oui Yes	149,26 €
DOG111-24-50	62,0:1	45	50	40	5,0	2,5	Yes Yes	143,73 €
DOG111-24-34	62,0:1	45	34	25	6,0	2,0	Yes Yes	138,23 €

Dimensions in mm

Our other products



RPP

Connecting plate for RPP type timing belts, RPP14



APB_F

Adjusting rod for clamp - Male, Threaded



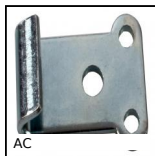
PHT

Pull handle, Up to 250 °C



RPP

Connecting plate for RPP type timing belts, RPP8



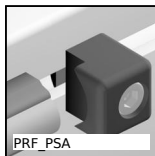
AC

Strike for toggle latch, 15mm



R205

Die spring ISO10243, Heavy



PRF_PSA

Shaft support for aluminium profile, Shaft stop



MSP3815

Masterplate® glueable insert rectangular, rectangular with



PM3

Worm and wheel set, Machined plastic



E60B

Right angle helical reducers, from 4.50 to



ACL-FPA

Panel mounting block for aluminium



AT5-BAR

AT type tooth bar stock, AT5

Complementary products



FIRSTDC1Q60

Speed controller 10A, 10 A



NANO

Speed controller 3A, 3 A



MDPOT

Potentiometer,