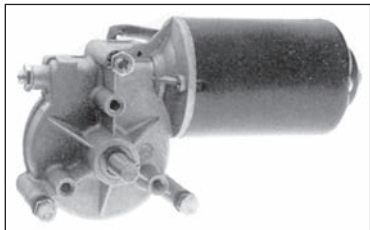
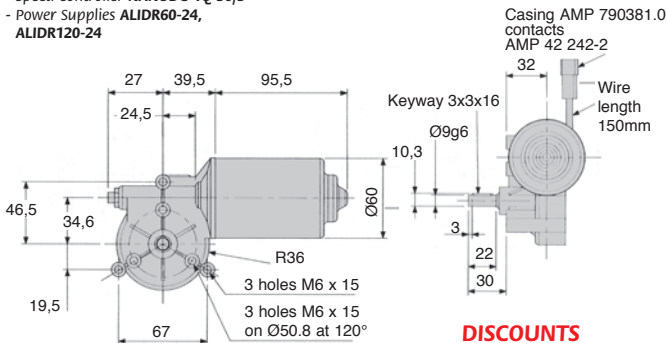


- Gearbox type: worm and wheel
- Bearing: self-lubricating bushes
- Angular backlash: N/A
- Max. axial load: N/A
- Max. radial load: N/A
- Working temp. from -40°C to +80°C
- Min. weight: 1.25kg
- Motor does not exhibit anti back drive behaviour for efficiencies less than 50%



### Accessories

- Servo Amplifier **FIRSTDC-1Q-60/10**
- Speed controller **NANODC-1Q-30/3**
- Power Supplies **ALIDR60-24**, **ALIDR120-24**



### DISCOUNTS

Qty	1+	6+	10+
Disc.	List	-7%	On request

Part number	Ratios	Efficiency (%)	Unloaded speed (rpm)	Load speed (rpm)	Nominal torque (Nm)	Courant nominal (A)	Consistent card	Price each 1 to 5
<b>12 V DC Version</b>								
DOG111-12-135	12,2:1	60	135	105	1,5	4,0	No Yes	251,58 €
DOG111-12-50	62,0:1	45	50	40	5,0	5,0	No Yes	135,44 €
DOG111-12-34	62,0:1	45	34	25	6,0	4,0	No Yes	135,44 €
DOG111-12-17	62,0:1	45	17	10	6,0	2,0	Yes Yes	138,23 €
<b>12 V DC Version</b>								
DOG111-24-270	12,2:1	60	270	240	1,5	4,0	No Yes	251,58 €
DOG111-24-78	62,0:1	45	78	70	3,0	3,0	Oui Yes	149,26 €
DOG111-24-50	62,0:1	45	50	40	5,0	2,5	Yes Yes	143,73 €
DOG111-24-34	62,0:1	45	34	25	6,0	2,0	Yes Yes	138,23 €

Dimensions in mm

## Our other products



BLH50

Right angled gearbox,  
from 7.70 to 20 Nm



PW\_PWG05

Worm - precision  
range, Stainless steel



PSG35

Spur gear - precision  
range, Stainless steel  
316



R206

Die spring ISO10243,  
Extra-heavy



GP

Spring loaded toggle  
latch, Standard



UCF\_SS

Stainless steel flanged  
bearing, Stainless  
steel



SCE

U-shaped cable  
clamp, Steel



GGB

Female wing knob,  
Fully threaded



ERT

Sliding nut, For T slot



CHA135

Screwed hinge, 135  
degrees



GE1006

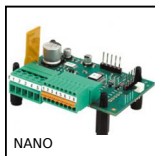
Elastic ringed latch,  
Hooks into a slot



BOX-TOR-MAX

Box set of Nitrile O-  
rings in nitrile, 2.90 x  
1.78mm to 82.14 x  
3.53

## Complementary products



NANO

Speed controller 3A, 3  
A



FIRSTDC1Q60

Speed controller 10A,  
10 A



MDPOT

Potentiometer,