

Miniature bellows coupling

DKN Couplings for servo-motors Torque: **0.4 to 10Nm**

- Backlash and maintenance free
- Materials:
 - Hub: anodised aluminium
 - Bellows: stainless steel
- Angular misalignment from 1.2° to 2° depending on the length
- High torsional rigidity
- Low moment of inertia
- Shaft/bore link without backlash
- Max speed: 15,000 rpm
- Recommended assembly tolerances H7/g6
- Working temperature -30°C to +100°C
- Please specify bore size on order (between min and max \varnothing)

Options

- Keyway according to DIN6885 on request (tolerance JS9)
- Orientation of the keyways at 180° to each other
- Stainless steel version on request

Info.

- The DK series is no longer available and has been replaced by the DKN range

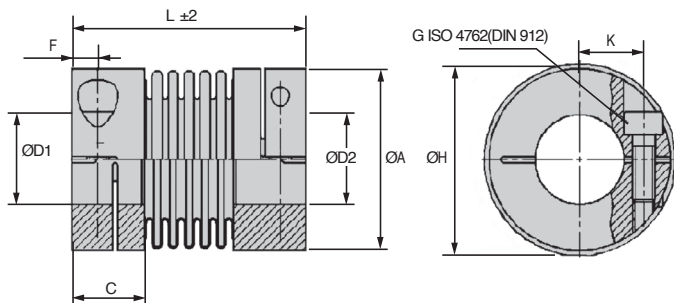


clamp hub

Part number	Nominal torque (Nm)	Misalignment			Torsional stiffness $C_{\varphi_{90}}$ (Nm/rad)	Moment of inertia J (g cm ²)	Tightening torque (Nm)	Weight (g)
		radial (ΔK) (mm)	axial (ΔK) (mm)	Angulaire (°)				
DKN4/21	0,5	0,10	0,20	1,2	0,25	2,6	0,3	5
DKN4/24	0,5	0,15	0,30	2,0	0,19	2,6	0,3	6
DKN4/28	0,5	0,20	0,40	2,0	0,15	2,6	0,3	7
DKN9/23	1,1	0,10	0,20	1,2	0,50	2,6	0,3	6
DKN9/26	1,1	0,15	0,30	2,0	0,38	2,9	0,3	7
DKN9/30	1,1	0,20	0,40	2,0	0,30	3,2	0,3	8
DKN15/26	1,75	0,10	0,25	1,2	0,75	11,0	0,8	12
DKN15/30	1,75	0,15	0,40	2,0	0,70	12,0	0,8	14
DKN20/32	2,4	0,10	0,30	1,2	1,50	25,0	1,5	20
DKN20/38	2,4	0,20	0,40	2,0	1,30	27,0	1,5	22
DKN20/42	2,4	0,25	0,50	2,0	1,00	28,0	1,5	24
DKN45/41	5,5	0,10	0,30	1,2	6,50	98,0	3,0	58
DKN45/50	5,5	0,20	0,50	2,0	4,00	103,0	3,0	62
DKN100/47	12,0	0,15	0,40	1,2	8,10	231,0	3,0	60
DKN100/57	12,0	0,25	0,50	2,0	6,70	250,0	3,0	70

Dimensions in mm

**High
Precision**



DISCOUNTS

Qty	1+	2+	4+
Disc. List	-6%	On request	

Part number	D/D ₂ (H7)	ØA	C	L	F	øH undercut	G (DIN 912)	K	Price each	
									No keyway	With keyway
DKN4/21	3-8	16	7	21	2	18	M2	5	63,80 €	70,16 €
DKN4/24	3-8	16	7	24	2	18	M2	5	63,80 €	70,16 €
DKN4/28	3-8	16	7	28	2	18	M2	5	63,80 €	70,16 €
DKN9/23	3-8	16	7	23	2	18	M2	5	63,80 €	70,16 €
DKN9/26	3-8	16	7	26	2	18	M2	5	70,16 €	70,16 €
DKN9/30	3-8	16	7	30	2	18	M2	5	70,16 €	70,16 €
DKN15/26	3-10	20	9	26	3	21	M2,5	7	70,16 €	70,16 €
DKN15/30	3-10	20	9	30	3	21	M2,5	7	70,16 €	70,16 €
DKN20/32	3-14	25	11	32	4	27	M3	9	74,73 €	74,73 €
DKN20/38	3-14	25	11	38	4	27	M3	9	74,73 €	74,73 €
DKN20/42	3-14	25	11	42	4	27	M3	9	74,73 €	74,73 €
DKN45/41	5-17	33	13	41	5	34	M4	12	110,45 €	110,45 €
DKN45/50	5-17	33	13	50	5	34	M4	12	110,45 €	110,45 €
DKN100/47	5-24	40	14	47	5	42	M4	16	138,27 €	138,27 €
DKN100/57	5-24	40	14	57	5	42	M4	16	138,27 €	138,27 €

Dimensions in mm

Our other products



Wheel - precision range, Bronze



AT type timing pulley, Economy range - AT5 aluminium



Stainless steel cylindrical stop, stainless steel



Oldham coupling, With set screw



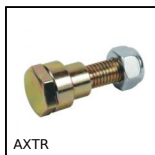
Brush strip per meter horsehair fibres Ø0.2, Black horsehair



Idler for slat top chain, Range 805



Bellows coupling Gerwah®, from 22 to 600Nm



Axle for tensioner pulley, Shaft



Eco range Spur gear, Steel C45



Dowel pin, Solid ISO 2338



Plastic spur gear, Machined plastic



Chain sprocket - steel, 15.875 (DIN 10B-1)

Complementary products



Bellows coupling Gerwah®, from 0.5 to 12Nm



Flexible Bellows coupling, Aluminium and Bronze - with clamping jaw