

DGSI DGSI2RS

Steel/steel contact

- DIN 648, series E, shape B, ISO 6126
- Material: steel C45

Maintenance

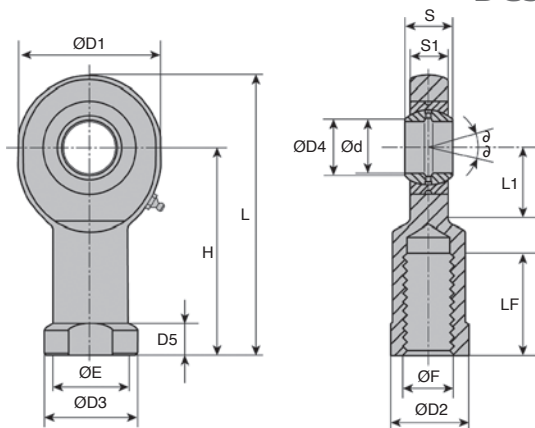
- Some maintenance required (except DGSI-E models)
- (1): No maintenance
- (2): Lubrication through hole in the head of the rod end

Economy range



Part number	Ød	S	ØD4	H	ØD1	ØD3	ØE	ØD2	D5	S1	L	L1
Without seal												
DGSI6E(1)	6 ^{-0.008}	6 ^{-0.12}	8,0	30	21	13	10,5	11	5,0	4,3	40,5	10,5
DGSI8E(1)	8 ^{-0.008}	8 ^{-0.12}	10,2	36	24	15	12,0	13	5,0	6,0	48,0	12,0
DGSI10E(1)	10 ^{-0.008}	9 ^{-0.12}	13,2	43	29	18	15,0	15	6,5	7,0	57,5	14,0
DGSI12E(1)	12 ^{-0.008}	10 ^{-0.12}	15,0	50	34	20	17,0	18	6,5	8,0	67,0	17,5
DGSI15ES(2)	15 ^{-0.008}	12 ^{-0.12}	18,4	61	40	24	20,0	21	8,0	10,0	81,0	20,0
DGSI17ES(2)	17 ^{-0.008}	14 ^{-0.12}	20,7	67	46	28	23,0	24	10,0	11,0	90,0	23,0
DGSI20ES	20 ^{-0.010}	16 ^{-0.12}	24,1	77	53	35	27,5	32	10,0	13,0	103,5	27,5
DGSI25ES	25 ^{-0.010}	20 ^{-0.12}	29,3	94	64	42	33,5	36	12,0	17,0	126,0	32,0
DGSI30ES	30 ^{-0.010}	22 ^{-0.12}	34,2	110	73	50	40,0	41	15,0	19,0	146,5	37,0
With seal												
DGSI35ES-2RS	35 ^{-0.012}	25 ^{-0.12}	39,7	125	82	58	47,0	50	15,0	21,0	166,0	42,0
DGSI40ES-2RS	40 ^{-0.012}	28 ^{-0.12}	45,0	142	92	65	52,0	55	18,0	23,0	188,0	48,0
DGSI45ES-2RS	45 ^{-0.012}	32 ^{-0.12}	50,7	145	102	70	58,0	60	20,0	27,0	196,0	52,0
DGSI50ES-2RS	50 ^{-0.012}	35 ^{-0.12}	56,0	160	112	75	62,0	65	20,0	30,0	216,0	59,0
DGSI60ES-2RS	60 ^{-0.015}	44 ^{-0.15}	66,8	175	135	88	70,0	75	20,0	38,0	242,0	75,0
DGSI70ES-2RS	70 ^{-0.015}	49 ^{-0.15}	77,8	200	160	98	85,0	80	20,0	42,0	280,0	87,0
DGSI80ES-2RS	80 ^{-0.015}	55 ^{-0.15}	89,4	230	180	110	95,0	100	25,0	47,0	320,0	100,0

Dimensions in mm



DISCOUNTS

Qty	1+	6+	20+	40+
Disc.	List	-15%	-20%	On request

Part number	LF	Angle δ	$\varnothing F$	Load capacity		Weight (kg)	Stock*	Price each 1 to 5
				Static (N)	Dynamic (N)			
Without seal								
DGSI6E	11	13°	M6x1,00	8100	3400	0,02	✓	9,50 €
DGSI8E	15	15°	M8x1,25	12900	5500	0,04	✓	9,50 €
DGSI10E	20	12°	M10x1,50	17600	8100	0,06	✓	9,50 €
DGSI12E	24	11°	M12x1,75	24500	10800	0,09	✓	10,57 €
DGSI15ES	30	8°	M14x2,00	36000	17000	0,18	✓	10,57 €
DGSI17ES	34	10°	M16x2,00	45000	21200	0,22	✓	15,84 €
DGSI20ES	40	9°	M20x1,50	60000	30000	0,35	✓	17,28 €
DGSI25ES	48	7°	M24x2,00	83000	48000	0,64	✓	17,28 €
DGSI30ES	56	6°	M30x2,00	110000	62000	0,93	-	22,57 €
With seal								
DGSI35ES-2RS	60	6°	M36x3,00	146000	80000	1,30	-	26,45 €
DGSI40ES-2RS	67	7°	M39x3,00	180000	100000	2,01	-	46,95 €
DGSI45ES-2RS	65	7°	M42x3,00	240000	127000	2,50	-	58,29 €
DGSI50ES-2RS	69	6°	M45x3,00	290000	156000	3,50	-	75,95 €
DGSI60ES-2RS	73	6°	M52x3,00	450000	245000	5,50	-	111,30 €
DGSI70ES-2RS	80	6°	M56x4,00	610000	315000	8,60	-	167,86 €
DGSI80ES-2RS	85	6°	M64x4,00	750000	400000	12,00	-	212,06 €

*Depending on availability - Dimensions in mm

Our other products



BEAS

Star shaped anti-static handle, Star, anti-static



PRF_PSA

Shaft support for aluminium profile, Linear guide shaft



PRF_ECL

Nut for aluminium profile, Steel square nut with tab



CHML40

Worm and wheel gear reducer, up to 57 Nm - Integrated torque limiter



BS3

Panamech, Multi-Beam stainless steel, Stainless steel - with set screw



EZYSS

Stainless steel cylindrical stop, stainless steel



ZBconique

Machined plastic bevel gear, 1:1



BAN

Angular clamp, Adjustable



BPF

Sheet steel flanged bearing for light



MFB_MHB

Moulded plastic bevel gear (nylon), 4:1



APB_T

Adjusting rod for clamp - Female, Bored



G1

Steel spur gear, Steel 20NCD2

Complementary products



CFF

Female rod ends DIN ISO12240-4, Steel / bronze



CFF_SS

Female rod ends DIN ISO12240-4, Stainless steel / bronze - Economy r...