

DGSA DGSA2RS

Steel/steel contact

- DIN 648, series E, shape B, ISO 6126
- Material: steel C45

Maintenance

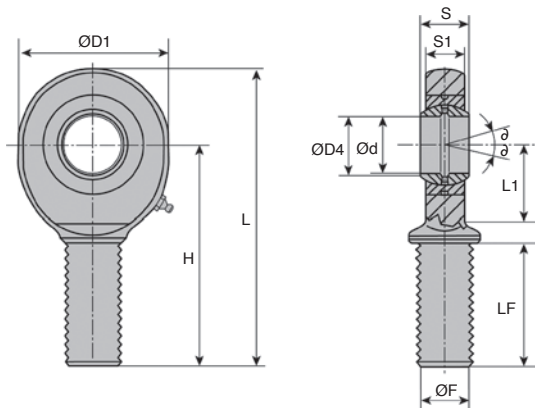
- Some maintenance required (except DGSA-E models)
- (1): No maintenance
- (2): Lubrication through hole in the head of the rod end

Economy range



Part number	Ød	S	ØD4	H	ØD1	S1	L	L1
Without seal								
DGSA6E ⁽¹⁾	6 ^{-0,008}	6 ^{-0,12}	8,0	36	21	4,3	46,5	12,0
DGSA8E ⁽¹⁾	8 ^{-0,008}	8 ^{-0,12}	10,2	42	24	6,0	54,0	14,0
DGSA10E ⁽¹⁾	10 ^{-0,008}	9 ^{-0,12}	13,2	48	29	7,0	62,5	15,0
DGSA12E ⁽¹⁾	12 ^{-0,008}	10 ^{-0,12}	15,0	54	34	8,0	71,0	19,0
DGSA15ES ⁽²⁾	15 ^{-0,008}	12 ^{-0,12}	18,4	63	40	10,0	83,0	20,0
DGSA17ES ⁽²⁾	17 ^{-0,008}	14 ^{-0,12}	20,7	69	46	11,0	92,0	23,0
DGSA20ES	20 ^{-0,010}	16 ^{-0,12}	24,1	78	53	13,0	104,5	27,5
DGSA25ES	25 ^{-0,010}	20 ^{-0,12}	29,3	94	64	17,0	126,0	32,0
DGSA30ES	30 ^{-0,010}	22 ^{-0,12}	34,2	110	73	19,0	146,5	37,0
With seal								
DGSA35ES-2RS	35 ^{-0,012}	25 ^{-0,12}	39,7	140	82	21,0	181,0	43,0
DGSA40ES-2RS	40 ^{-0,012}	28 ^{-0,12}	45,0	150	92	23,0	196,0	48,0
DGSA45ES-2RS	45 ^{-0,012}	32 ^{-0,12}	50,7	163	102	27,0	218,0	52,0
DGSA50ES-2RS	50 ^{-0,012}	35 ^{-0,12}	56,0	185	112	30,0	241,0	60,0
DGSA60ES-2RS	60 ^{-0,015}	44 ^{-0,15}	66,8	210	135	38,0	277,5	75,0
DGSA70ES-2RS	70 ^{-0,015}	49 ^{-0,15}	77,8	235	160	42,0	315,0	87,0
DGSA80ES-2RS	80 ^{-0,015}	55 ^{-0,15}	89,4	270	180	47,0	360,0	100,0

Dimensions in mm



DISCOUNTS

Qty	1+	6+	20+	40+
Disc.	List	-15%	-20%	On request

Part number	LF	Angle δ	ØF	Load capacity			Stock*	Price each 1 to 5
				Static (N)	Dynamic (N)	Weight (kg)		
Without seal								
DGSA6E	18	13°	M6x1,00	10200	3400	0,01	✓	8,79 €
DGSA8E	22	15°	M8x1,25	16000	5500	0,03	✓	8,79 €
DGSA10E	27	12°	M10x1,50	22000	8100	0,05	✓	9,16 €
DGSA12E	30	11°	M12x1,75	30400	10800	0,08	✓	9,16 €
DGSA15ES	34	8°	M14x2,00	44800	17000	0,14	✓	9,16 €
DGSA17ES	36	10°	M16x,200	56500	21200	0,19	✓	9,47 €
DGSA20ES	43	9°	M20x1,50	75600	30000	0,31	✓	11,61 €
DGSA25ES	53	7°	M24x2,00	88200	48000	0,56	✓	15,15 €
DGSA30ES	65	6°	M30x2,00	119000	62000	0,89	✓	20,46 €
With seal								
DGSA35ES-2RS	82	6°	M36x3,00	159000	80000	1,40	✓	31,77 €
DGSA40ES-2RS	86	7°	M39x3,00	194000	100000	1,80	-	41,31 €
DGSA45ES-2RS	94	7°	M42x3,00	259000	127000	2,60	-	52,63 €
DGSA50ES-2RS	106	6°	M45x3,00	313000	156000	3,40	-	58,29 €
DGSA60ES-2RS	115	6°	M52x3,00	485000	245000	5,90	-	111,30 €
DGSA70ES-2RS	125	6°	M56x4,00	564000	315000	8,20	-	136,04 €
DGSA80ES-2RS	140	6°	M64x4,00	689000	400000	13,10	-	203,22 €

*Depending on availability - Dimensions in mm

Our other products



OP3_14_06
Reducing sleeve for
OP indicators,
Reduction socket



CFF_SS
Female rod ends DIN
ISO12240-4, Stainless
steel / bronze -
Economy r...



QN
Single row cylindrical
roller bearing, Free
outer ring



PRF-P
Aluminium profile feet
support, For feet or
casters



DKGS
Backlash free
coupling Gerwah®,
from 0.5 to 3Nm



NPTR
Adjustable cross
clamp, Adjustable



CHTRP
Single and dual
output gearboxes, Up
to 87,3Nm



AT5courroie
AT type timing belt,
AT5 Steel cored
polyurethane



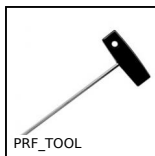
RFK28C
Hypoid gearbox -
Stainless steel, up to
130 Nm



BTE
Universal tension arm,
For normal
applications



BLHT30
Right angled gearbox,
from 1.65 to 4.40 Nm



PRF_TOOL
Assembly key for
aluminium profile,
Assembly key

Complementary products



CMM
Male rod ends DIN
ISO12240-4, Steel /
bronze



CMM_SS
Male rod ends DIN
ISO12240-4, Stainless
steel / bronze -
Economy range