

Sta Diabolo shaped stainless steel elasto mount

Female / female mounting

CT-ZYss

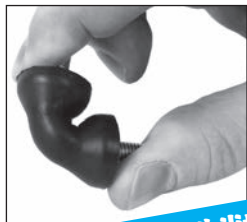
- Radial elasticity greater than axial elasticity
- Cylinder works under both compression and shear
- Materials :
 - Core: Stainless steel (A2)
 - Cylinder: Rubber
- Hardness NK55-60 Shore A
- Working temp: -40°C to +70°C

Uses

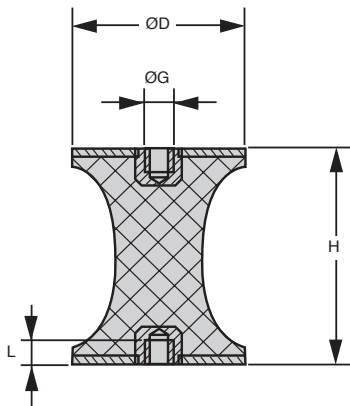
- Dampens sound and vibrations



stainless steel



High flexibility



DISCOUNTS

Qty	1+	6+	20+	40+	100+
Disc.	List	-10%	-15%	-20%	On request

Part number	ØG	ØD	H	L	Stock*	Price each 1 to 5
CT-ZY4-10-10/SS	M4	10	10	4	✓	3,61 €
CT-ZY8-30-20/SS	M8	30	20	8	✓	8,17 €
CT-ZY8-40-48/SS	M8	40	48	8	✓	16,93 €
CT-ZY10-50-30/SS	M10	50	30	10	-	26,63 €

*Depending on availability - Dimensions in mm

Our other products



DIV

Locking bolt, With grip
- Steel



HS

Hexagonal spacer,
Stainless steel 303



BPVM

Miniature ball transfer
unit, Miniature to
screw



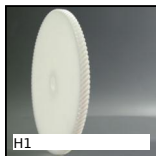
LACM_SS

Stainless steel cam
lever, Female



BOXdh

Boxed set of
cylindrical dowel pins
DIN6325, Boxed set -
Solid DIN 6...



H1

Crossed helical gear
crossed axis at 90°,
Machined plastic
(delrin)



BAG-MI

Split shaft collar with
clamp lever, Steel



GGB

Female wing knob,
Fully threaded



DZYSS

Stainless steel
cylindrical stop,



BPPss

Pressed stainless
steel pillow block,



PCS6ECO

Chain sprocket - steel,
6mm (DIN 04-1)



DB

Steel bevel gear, 2:1

Complementary products



CTZY

Diabolo shaped elasto
mount, Steel



ATZYSS

Stainless steel diabolo
shaped elasto
mount,
Stainless steel



AZY

Cylindrical elasto
mount, Steel