

Diabolo-shaped elasto mount

Ste Stock

CT-ZY

Female / female mounting

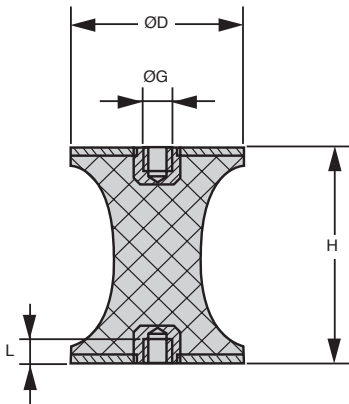
- Radial elasticity greater than axial elasticity
- Cylinder worked under compression or shearing
- Materials:
 - core: Steel plates
 - cylinder: Rubber
- Hardness: NK 55-60 shore A
- Working temp: -40°C to +70°C

Uses

- Dampens sound and vibrations



High flexibility



DISCOUNTS

Qty	1+	6+	20+	40+	100+	200+
Disc. List	-10%	-15%	-20%	-25%	On request	

Part number	ØG	ØD	H	L	Stock*	Price each 1 to 5
CT-ZY4-10-10	M4	10	10	4	✓	1,85 €
CT-ZY8-30-20	M8	30	20	8	✓	5,45 €
CT-ZY8-40-48	M8	40	48	8	✓	10,98 €
CT-ZY10-50-30	M10	50	30	10	-	19,25 €

*Depending on availability - Dimensions in mm

Our other products



PR40
Fixed levelling foot
Ø40 and Ø50, Ø 40



PGMhuss
Carrying handle
Hygienic Usit®,
Stainless steel



PM4
Worm and wheel set,
Machined plastic
(delrin)



DCG
Suction cup, 2.5
bellows, natural
rubber



SBRtool
Chain tool, Drive
chain maintenance
tools



BPMc
Stainless steel slotted
spring plunger, 303
Stainless steel body +
c...



PRF_CLIP_45
Cable clip, For cable
chute



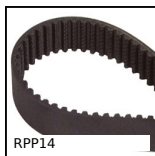
TCL-CR
T-Clip - Aluminium
profile attachment,
Magnetic object
holder



MSP23
Masterplate®
glueable insert,
50x50x10mm



HS
Hexagonal spacer,
Stainless steel 303



RPP14
RPP-heavy duty
timing belt, RPP14



HW-HT
Half-rail guide, Rail

Complementary products



ATZY
Diabolo-shaped elasto
mount, Steel



CTZYSS
Diabolo shaped
stainless steel elasto
mount, Stainless steel



BZY
Cylindrical elasto
mount, Steel



BZY_SS
Stainless steel elasto
mount, Stainless steel