

# Diabolo-shaped elasto mount

Ste Stock

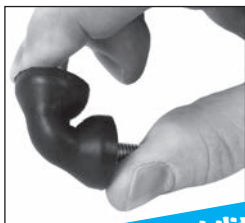
## CT-ZY

## Female / female mounting

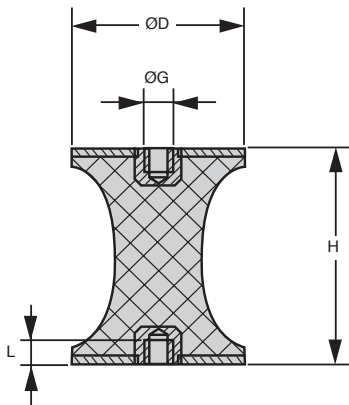
- **Radial elasticity greater than axial elasticity**
- Cylinder worked under compression or shearing
- **Materials:**
  - core: Steel plates
  - cylinder: Rubber
- **Hardness: NK 55-60 shore A**
- **Working temp: -40°C to +70°C**

### Uses

- Dampens sound and vibrations



High flexibility



### DISCOUNTS

Qty	1+	6+	20+	40+	100+	200+
Disc. List	-10%	-15%	-20%	-25%	On request	

Part number	ØG	ØD	H	L	Stock*	Price each 1 to 5
CT-ZY4-10-10	M4	10	10	4	✓	1,85 €
CT-ZY8-30-20	M8	30	20	8	✓	5,45 €
CT-ZY8-40-48	M8	40	48	8	✓	10,98 €
CT-ZY10-50-30	M10	50	30	10	-	19,25 €

\*Depending on availability - Dimensions in mm

## Our other products



PM2

Worm and wheel set,  
Non hardened steel



MSP19

Masterplate®  
glueable insert Ø19,  
Cylindrical with  
tapped insert



PPD

Indexing plunger for  
sheets, For sheet  
metal



H2

Crossed helical gear  
crossed axis at 90°,  
Steel 20NCD2



PCLA\_M

Technopolymer  
clamping lever -  
female, Plastic



RDE-N

Sealing washer  
Hygienic Usit®,  
Stainless steel - Black  
EPDM



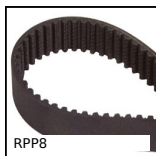
LRX

Linear roller slide, Rail  
- from 9410 N to  
101000 N



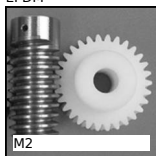
PTA50

Articulated levelling  
foot, pressed base  
Ø50, Ø 50



RPP8

RPP heavy duty  
timing belt, RPP8



M2

Worm and wheel set,  
Machined plastic  
(delrin)



H1

Crossed helical gear  
crossed axis at 90°,  
Steel 20NCD2



HLC24

Right angle spiro  
bevel gearbox, Up to  
78Nm

## Complementary products



ATZY

Diabolo shaped elasto  
mount, Steel



CTZYSS

Stainless steel diabolo  
shaped elasto mount,  
Stainless steel



BZY

Cylindrical elasto  
mount, Steel



BZY\_SS

Stainless steel  
cylindrical elasto  
mount, Stainless steel