



Stainless steel folding bracket

For heavy loads

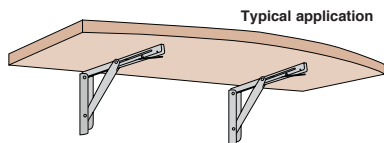
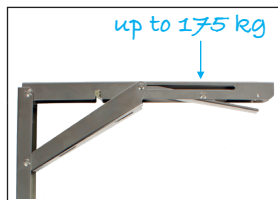
CPAS

- **Folding bracket**
- Automatic locking when in the open position
- Opening sens to the top
- Unlocking lever
- Materials:

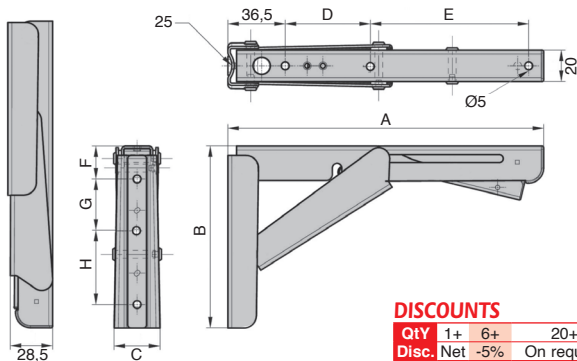
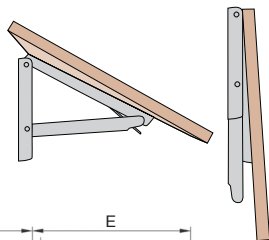
Stainless steel 304 polished finish

Advantage

- Angle bracket with integrated hinge function



Typical application



DISCOUNTS

Qty	1+	6+	20+
Disc.	Net	-5%	On request

Part N°	A	B	C	D	E	H	F	G	Admissible load (kg)	Weight (g)	Stock*	Price each 1 à 5
CPAS305-165H	307	165	29	98	156	67	38	45	150	515	✓	153,92 €
CPAS200-116H	201	116	29	155	-	-	21	80	175	332	New ✓	120,17 €

*Depending on availability - Dimensions in mm

Our other products



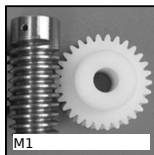
SVT20
Screwjack with travelling screw, with translating screw



DTR
Chain idler sprocket, Chain idler sprocket - Steel



PPF
Indexing plunger with flange, with drilled flange



M1
Worm and wheel set, Machined plastic (delrin)



PLM-SC
Magnetic stud with central countersunk hole, With milled bore



BPLF
Ball transfer unit light duty, Light



SA_SAKH
Housing for linear bearing, Closed - light load



UTKswr
Utilitak® V rail, V rail



ZDB
Machined plastic bevel gear, 2:1



HLC24
Right angle spiro bevel gearbox, Up to 78Nm



CLR
Straight clevis, Straight clevis for use with a male clevis



SBF
Sealed flange bearing unit for Food Industry, cover

Complementary products



CPAS
Stay with safety catch, Opens upward