

# Male rod ends **DIN ISO 12240-4** ISO

## CMMRH Steel/self-lubricating bronze contact CMLLH

- Male threaded rod end conforming to DIN ISO 12240-4 K series

- Static axial load = 0.2 x static radial load

- Materials:

Sphere: Steel 100CG ground and polished

Insert: Bronze

Housing:

sizes 5 to 12- low carbon steel

sizes 16 to 35 - high carbon steel alloy,  
surface is galvanized and passivated

- Working temperature: -30°C to +120°C  
(150°C occasionally)

### Advantages

- Self-lubricating

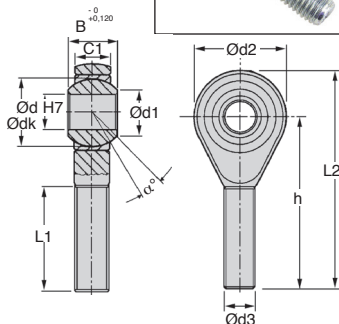
- Maintenance free

- Bearing surface wear-resistant

- Low friction

### Application

- Oscillating movements



### DISCOUNTS

Qty	1+	6+	20+	40+	60+
Disc.	List	-15%	-20%	-30%	On request

Part number	Ød	Ød3	B	C1	Ød1	Ød2	Ødk	h	L1	L2
CMM.00.05	5	M5 x 0,8	8	6,00	7,70	18	11,112	33	19	42
CMM.00.06	6	M6 x 1	9	6,75	8,90	20	12,700	36	21	46
CMM.00.08	8	M8 x 1,25	12	9,00	10,40	24	15,875	42	25	54
CMM.00.10	10	M10 x 1,5	14	10,50	12,90	28	19,050	48	28	62
CMM.00.12	12	M12 x 1,75	16	12,00	15,40	32	22,225	54	32	70
CMM.00.16	16	M16 x 2	21	15,00	19,30	42	28,575	66	37	87
CMM.00.20	20	M20 x 2,5	25	18,00	24,30	50	34,925	78	45	103

Part number		Radial static load F <sub>s</sub> (daN)	Axial holding load of the ball (daN)	Movement angle α°	Weight (g)	Stock* RH	Stock* LH	Price each 1 to 5	
RH threading	LH threading							RH	LH
CMM.00.05/RH	CMM.00.05/LH	300	100	13	15	✓	-	19,52 €	22,49 €
CMM.00.06/RH	CMM.00.06/LH	400	120	13	22	✓	✓	11,89 €	13,77 €
CMM.00.08/RH	CMM.00.08/LH	800	170	14	38	✓	✓	12,56 €	14,54 €
CMM.00.10/RH	CMM.00.10/LH	1 300	200	13	63	✓	✓	14,11 €	16,33 €
CMM.00.12/RH	CMM.00.12/LH	1 700	270	13	100	✓	✓	17,13 €	19,80 €
CMM.00.16/RH	CMM.00.16/LH	4 800	550	15	195	✓	✓	37,34 €	43,13 €
CMM.00.20/RH	-	5 200	600	14	370	✓	-	57,06 €	-

\*Depending on availability - Dimensions in mm

## Our other products



GAC

Latch clamp with lock,  
Lockable



BDM

Pin for magnetic bush,  
Fast and light  
magnetic locking



RTK

BoWex® curved tooth  
gear coupling, Nylon  
and steel



GTCCS

Belt tensioner, For use  
in hostile  
environments



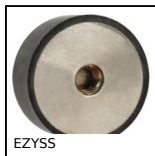
HLU

Spoked handwheel  
without handle,  
Aluminium



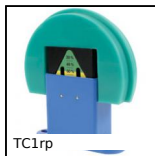
GCL

Linear ball slide -  
Stainless steel balls,  
Chariot - from 516 N  
to 8...



EZYSS

Stainless steel  
cylindrical stop,  
stainless steel



TC1rp

Automatic chain  
tensioner, With 180°  
guide



SH2

Parallel axis helical  
gear, Machined plastic



PCS\_PA6

Plastic sprocket,  
9.525mm (DIN 06B-1)



GLT3E-58

Telescopic drawer,



UGH40

H Type Guide units,  
For Ø40 actuators

## Complementary products



CMM\_SS

Male rod ends DIN  
ISO12240-4, Stainless  
steel / bronze -  
Economy range



SME

Male rod ends,  
Stainless steel / PTFE