

CLB_M CLB_{MS}

With threaded insert

- Clamp lever with threaded insert

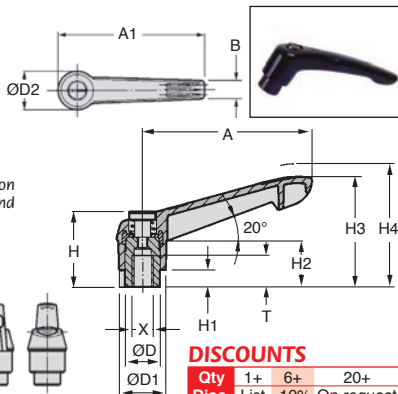
- Materials:

Handle: diecast zinc, complies with DIN 1743

- Finish:

Steel: blackened steel

Handle: black plastic coating

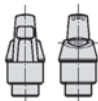


Uses

- The lever is normally in a locked position
- Raise the handle to release the lever and turn to required position
- When handle is released, lever will automatically lock in new position

Info.

- H4 = clearance height required for handle



DISCOUNTS

Qty	1+	6+	20+
Disc.	List	-10%	On request

Part number	Thread		ØD	ØD1	ØD2	H	H1	H2
	X	T						
CLB01M4	M4	9	10,0	13,0	14,5	24,5	4,0	15,0
CLB01M5	M5	9	10,0	13,0	14,5	24,5	4,0	15,0
CLB01M6	M6	9	10,0	13,0	14,5	24,5	4,0	15,0
CLB02M6	M6	12	13,5	18,0	19,5	28,5	6,5	17,5
CLB02M8	M8	12	13,5	18,0	19,5	28,5	6,5	17,5
CLB03M8	M8	14	16,0	21,5	23,0	37,0	10,0	24,0
CLB03M10	M10	14	16,0	21,5	23,0	37,0	10,0	24,0
CLB04M10	M10	17	19,0	25,5	27,5	43,0	10,0	26,0
CLB04M12	M12	17	19,0	25,5	27,5	43,0	10,0	26,0
CLB05M12	M12	23	23,0	30,0	32,5	49,0	12,0	33,0
CLB05M16	M16	23	23,0	30,0	32,5	49,0	12,0	33,0

Part number	Steel		H3	H4	A	A1	B	N° of teeth	Stock*		Prix Uni. 1 à 5	
	Steel	Sts							Steel	Sts		
CLB01M4	-	-	30,0	33,5	40	47,0	7,5	16	✓	-	11,46 €	-
CLB01M5	CLB01M5SS	-	30,0	33,5	40	47,0	7,5	16	✓	-	11,46 €	16,07 €
CLB01M6	CLB01M6SS	-	30,0	33,5	40	47,0	7,5	16	✓	-	11,46 €	16,07 €
CLB02M6	CLB02M6SS	✓	41,5	45,5	65	75,0	9,5	20	✓	✓	14,48 €	19,93 €
CLB02M8	CLB02M8SS	✓	41,5	45,5	65	75,0	9,5	20	✓	-	14,48 €	19,93 €
CLB03M8	CLB03M8SS	✓	53,5	58,0	80	91,5	11,0	22	✓	-	15,82 €	22,63 €
CLB03M10	CLB03M10SS	✓	53,5	58,0	80	91,5	11,0	22	✓	-	15,82 €	22,63 €
CLB04M10	CLB04M10SS	✓	61,0	66,0	95	109,0	13,0	24	✓	-	17,90 €	29,44 €
CLB04M12	CLB04M12SS	✓	61,0	66,0	95	109,0	13,0	24	✓	✓	17,90 €	29,44 €
CLB05M12	CLB05M12SS	✓	72,0	77,0	110	126,0	15,5	26	✓	-	22,23 €	35,83 €
CLB05M16	CLB05M16SS	✓	72,0	77,0	110	126,0	15,5	26	✓	-	22,23 €	35,90 €

*Depending on availability - Dimensions in mm

Our other products



HLC28

Right angle bevel gearbox, Up to 182Nm



NIN

Self locking nut - DIN 985, Steel



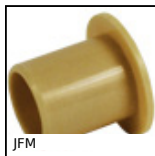
TC1rp

Automatic tightener for chains, With 180° guide



PM2

Worm, Non hardened steel



JFM

Bushing, Universal polymer



GE1006

Flexible toggle latch, Hooks into a slot



NRR

Sensor support, Adjustable support clamp



GMK17_BROSSE

Guide, Cone-shaped - brush



PTP

Detachable V belts, For ZAB pulleys



VT

Friction torque limiter, 0.53 to 1.32 Nm



BETA

Spring pin, Hitch



NDS14C

Suction finger, Universal angular connector

Complementary products



PCLA_M

Clamping lever - female, Plastic



CLASS

Clamping lever - female, Stainless steel



CLB_T

Clamping lever - male, Zamak



CLASS

Clamping lever - male, Stainless steel