

With male thread

CLBT
CLBTss

- Clamp lever with male thread and flattened end according to DIN 78

Materials:

Insert: steel (class 5.8) or

stainless steel (303)

Handle: diecast zinc,

complies with DIN 1743

- Finish: Blackened steel

Uses

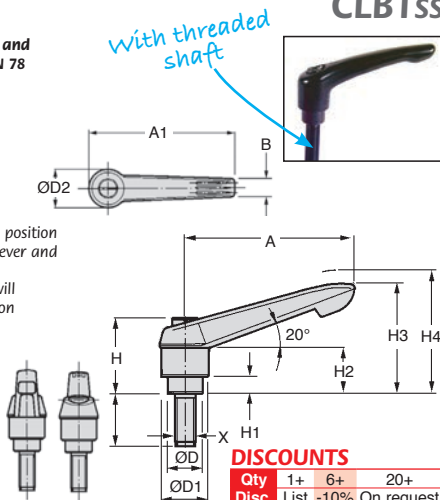
- The lever is normally in a locked position
- Raise the handle to release the lever and turn to required position
- When handle is released, lever will automatically lock in new position

Options

- Alternate lengths of threaded shaft available for orders of more than 10 pieces

Info.

- H4 = clearance height required for handle



DISCOUNTS

Qty	1+	6+	20+
Disc.	List	-10%	On request

Part number		Threaded rod X	H1	L		ØD	ØD1	ØD2
Steel	Stainless			Steel	Stainless			
CLB01T5	CLB01T5SS	M5	4,0	50	25	10,0	13,0	14,5
CLB01T6	CLB01T6SS	M6	4,0	50	50	10,0	13,0	14,5
CLB02T8	CLB02T8SS	M8	6,5	60	60	13,5	18,0	19,5
CLB02T10	CLB02T10SS	M10	6,5	60	60	13,5	18,0	19,5
CLB03T10	CLB03T10SS	M10	10,0	60	60	16,0	21,5	23,0
CLB04T10	-	M10	10,0	90	-	19,0	25,5	27,5
CLB04T12	CLB04T12SS	M12	10,0	90	60	19,0	25,5	27,5
CLB05T12	-	M12	12,0	90	-	23,0	30,0	32,5
CLB05T16	CLB05T16SS	M16	12,0	90	60	23,0	30,0	32,5

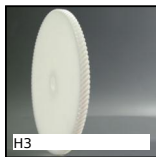
Part number		H				A			N° of teeth	Stock*		Price each 1 to 5	
Steel	Stainless	H	H2	H3	H4	A	A1	B		Steel	Sts	Steel	Stainless
CLB01T5	CLB01T5SS	24,5	15,0	30,0	33,5	40	47,0	7,5	16	✓	✓	13,26 €	17,02 €
CLB01T6	CLB01T6SS	24,5	15,0	30,0	33,5	40	47,0	7,5	16	✓	✓	13,26 €	18,30 €
CLB02T8	CLB02T8SS	28,5	17,5	41,5	45,5	65	75,0	9,5	20	✓	✓	16,40 €	22,71 €
CLB02T10	CLB02T10SS	28,5	17,5	41,5	45,5	65	75,0	9,5	20	✓	✓	16,40 €	22,63 €
CLB03T10	CLB03T10SS	37,0	24,0	53,5	58,0	80	91,5	11,0	22	✓	✓	18,15 €	25,85 €
CLB04T10	-	43,0	26,0	61,0	66,0	95	109,0	13,0	24	✓	-	21,68 €	-
CLB04T12	CLB04T12SS	43,0	26,0	61,0	66,0	95	109,0	13,0	24	✓	✓	18,15 €	33,25 €
CLB05T12	-	49,0	33,0	72,0	77,0	110	126,0	15,5	26	✓	-	27,29 €	-
CLB05T16	CLB05T16SS	49,0	33,0	72,0	77,0	110	126,0	15,5	26	✓	-	27,29 €	42,42 €

*Depending on availability - Dimensions in mm

Our other products



ES
Simple support base (bipod), Plastic



H3
Crossed helical gear
crossed axis at 90°,
Machined plastic
(delrin)



PSG35
Spur gear - precision
range, Stainless steel
303



BMM
Knurled knob - male,
Knurled



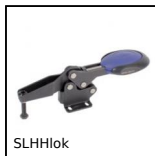
EHD16
Internal epicyclic
servo reducers, from
210 to 380 Nm



EZYSS
Stainless steel
cylindrical stop,
stainless steel



EX
Optional shaft for E-
type gear reducers, E
Gearboxes single
sided ou...



SLHHlok
Horizontal toggle
clamp, Horizontal
toggle clamp /
horizontal foot



SSE
Stainless steel
spherical bearing,
Stainless steel / PTFE



ADL_M
Male eye bolt
conforms to DIN580,
Stainless steel



J64
Spur gear coaxial
gearbox, from 0.57 to
2.25 Nm - Inline



DBC
Panamech, Multi-
Beam, Aluminium -
with clamping jaw

Complementary products



PCLA_T
Technopolymer
clamping lever - male,
Plastic



CLASS
Stainless steel
indexing handle -
male, Stainless steel



CLB_M
Die cast zinc clamping
lever - female, Zamak



CLASS
Stainless steel
indexing handle -
female, Stainless steel