

CLB_M CLB_{MS}

With threaded insert

- Clamp lever with threaded insert

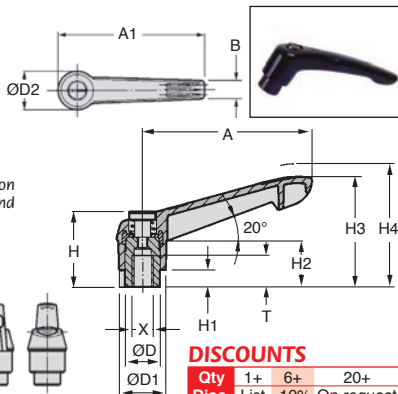
- Materials:

Handle: diecast zinc, complies with DIN 1743

- Finish:

Steel: blackened steel

Handle: black plastic coating



Uses

- The lever is normally in a locked position
- Raise the handle to release the lever and turn to required position
- When handle is released, lever will automatically lock in new position

Info.

- H4 = clearance height required for handle

DISCOUNTS

Qty	1+	6+	20+
Disc.	List	-10%	On request

Part number	Thread		ØD	ØD1	ØD2	H	H1	H2
	X	T						
CLB01M4	M4	9	10,0	13,0	14,5	24,5	4,0	15,0
CLB01M5	M5	9	10,0	13,0	14,5	24,5	4,0	15,0
CLB01M6	M6	9	10,0	13,0	14,5	24,5	4,0	15,0
CLB02M6	M6	12	13,5	18,0	19,5	28,5	6,5	17,5
CLB02M8	M8	12	13,5	18,0	19,5	28,5	6,5	17,5
CLB03M8	M8	14	16,0	21,5	23,0	37,0	10,0	24,0
CLB03M10	M10	14	16,0	21,5	23,0	37,0	10,0	24,0
CLB04M10	M10	17	19,0	25,5	27,5	43,0	10,0	26,0
CLB04M12	M12	17	19,0	25,5	27,5	43,0	10,0	26,0
CLB05M12	M12	23	23,0	30,0	32,5	49,0	12,0	33,0
CLB05M16	M16	23	23,0	30,0	32,5	49,0	12,0	33,0

Part number	Steel	Stainless	H3	H4	A	A1	B	N° of teeth	Stock*		Prix Uni. 1 à 5	
									Steel	Sts	Steel	Stainless
CLB01M4	-	-	30,0	33,5	40	47,0	7,5	16	✓	-	11,46 €	-
CLB01M5	CLB01M5SS	-	30,0	33,5	40	47,0	7,5	16	✓	-	11,46 €	16,07 €
CLB01M6	CLB01M6SS	-	30,0	33,5	40	47,0	7,5	16	✓	-	11,46 €	16,07 €
CLB02M6	CLB02M6SS	-	41,5	45,5	65	75,0	9,5	20	✓	✓	14,48 €	19,93 €
CLB02M8	CLB02M8SS	-	41,5	45,5	65	75,0	9,5	20	✓	-	14,48 €	19,93 €
CLB03M8	CLB03M8SS	-	53,5	58,0	80	91,5	11,0	22	✓	-	15,82 €	22,63 €
CLB03M10	CLB03M10SS	-	53,5	58,0	80	91,5	11,0	22	✓	-	15,82 €	22,63 €
CLB04M10	CLB04M10SS	-	61,0	66,0	95	109,0	13,0	24	✓	-	17,90 €	29,44 €
CLB04M12	CLB04M12SS	-	61,0	66,0	95	109,0	13,0	24	✓	✓	17,90 €	29,44 €
CLB05M12	CLB05M12SS	-	72,0	77,0	110	126,0	15,5	26	✓	-	22,23 €	35,83 €
CLB05M16	CLB05M16SS	-	72,0	77,0	110	126,0	15,5	26	✓	-	22,23 €	35,90 €

*Depending on availability - Dimensions in mm

Our other products



SVT_CH
Screwjack - pivot mounting, Pivoting bracket



LVT
Miniature motorised actuator 2A, 2 amperes



RUR
Wheel, Polyurethane - Aluminium rim (Free running)



PT821
Drive sprocket for slat top chain, Ranges 821 and 805



METEB
Self-lubricating blanks, Bronze BP25



SCA_SS
Stainless steel flat cable clamp, Stainless steel



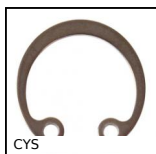
MFBS
Stainless steel flexible bellows coupling, Stainless steel - with se...



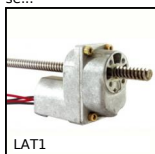
EMR
Fast-locking knurled nut, Knurled



CHA1056-UPA
Molded polyamide face-mounted hinge,



CYS
Internal circlip DIN472, internal DIN



LAT1
1A motorised linear actuator, 1 ampere



SR
Narrow spur rack, Stainless steel

Complementary products



PCLA_M
Technopolymer clamping lever - female, Plastic



CLASS
Stainless steel indexing handle - female, Stainless steel



CLB_T
Die cast zinc clamping lever - male, Zamak



CLASS
Stainless steel indexing handle - male, Stainless steel