

- Indexing lever with male thread and collar for a sealing washer

- EHEDG certification
- Material:
Stainless steel 1.4404 (316L)
Polished finish up to Ra<0.04

Advantages

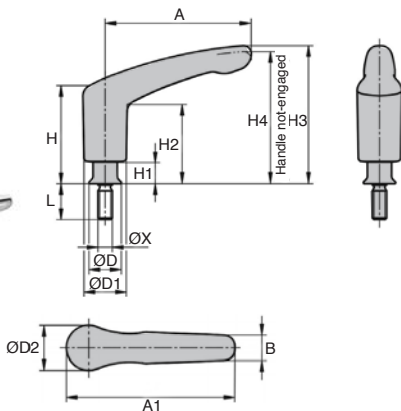
- Intended for use in hygienic environments. The completely sealed handle and a gasket prevent contamination inside the lever.
- In addition, the insert is fitted with a conical collar so that the screwed connection can be hygienically sealed to the sealing washer.
- The lever rotates freely when not in use.

Accessory

- RDE sealing washers
(cf. pages 37 à 39)



Apply pressure to engage the lever (safety feature)



DISCOUNTS

Qty	1+	5+	10+
Disc.	Net	-5%	On request

Part N°	ØX	L	ØD	ØD1	ØD2	H	H1	H2	H3	H4	A	A1	B	N° of teeth	Price each
															1 to 4
CLA03T8/HUSS	M8	30	18	23,6	24,9	54,7	12,1	44	77	73,5	81,5	94	14,2	20	71,61 €
CLA03T10/HUSS	M10	40	22,3	23,6	24,9	54,7	12,1	44	77	73,5	81,5	94	14,2	20	75,22 €

All dimensions in mm

0 825 88 6000

Service 0,15 € / min
+ prix appel

Our other products



ZG1
Spur gear, Machined plastic (delrin)



PLM-SC
Magnetic stud, With milled bore



SH4
Parallel axis helical gear, Steel 20NCD2



BSM
Spring plunger with pressure pin, steel body, plastic pin



AFM
Bushing, Food grade polymer



RNAST
Cam follower, Without interior ring



PSG125HC
Skive hobbled spur gears - precision range, Case hardened steel 20NCD2



HTD8M_50
HTD-type pulley for RPP-type belt, HTD8 Cast



GMK17_BROSSE
Guide, Cone-shaped - brush



CHML40
Worm and wheel gearbox, up to 57 Nm - Integrated torque



B_ECO
Bevel gear - Steel C43, 1:1



TB_ECO
Bevel gear - Steel C43, 3:1

Complementary products



RDE-N
Sealing washer Hygienic Usit®, Stainless steel - Black EPDM



RDE-W
Sealing washer Hygienic Usit®, Stainless steel - White EPDM



RDE-B
Sealing washer Hygienic Usit®, Stainless steel - Blue EPDM



CLA
Clamping lever Hygienic Usit®, Stainless steel