

CLass

With threaded insert

- Stainless steel indexing handle with threaded insert

- Materials:

Precision cast handle: stainless steel 304

Other components: stainless steel 303

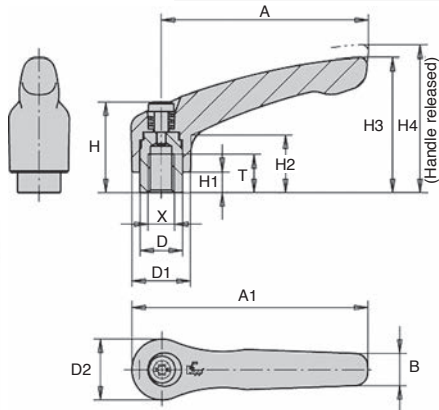
- Finish:

Handle: electrolytically polished stainless steel

Other components: polished stainless steel



stainless steel



Pull the handle to unlock



DISCOUNTS

Qty	1+	6+	20+
Disc.	List	-10%	On request

Part number	Thread		D	D1	D2	H	H1	H2	H3	H4	A	A1	B	N° of teeth	Price each	
	X	T													Stock*	1 to 5
CLA01M5/SS	M5	9	10,0	13,0	14,0	24,5	4,0	14,5	31,0	34,0	40	47,0	7	16	✓	21,06 €
CLA01M6/SS	M6	9	10,0	13,0	14,0	24,5	4,0	14,5	31,0	34,0	40	47,0	7	16	-	21,06 €
CLA02M6/SS	M6	12	13,5	18,5	19,0	28,5	6,5	17,5	42,5	45,5	65	74,5	10	20	✓	28,38 €
CLA02M8/SS	M8	12	13,5	18,5	19,0	28,5	6,5	17,5	42,5	45,5	65	74,5	10	20	✓	28,38 €
CLA03M8/SS	M8	14	16,0	21,0	22,0	37,0	10,0	24,0	54,5	58,5	80	91,0	11	22	✓	34,19 €
CLA03M10/SS	M10	14	16,0	21,0	22,0	37,0	10,0	24,0	54,5	58,5	80	91,0	11	22	✓	34,19 €
CLA04M10/SS	M10	17	19,0	27,0	27,5	43,0	10,0	27,0	63,0	67,5	95	109,0	13	24	✓	40,03 €
CLA04M12/SS	M12	17	19,0	27,0	27,5	43,0	10,0	27,0	63,0	67,5	95	109,0	13	24	✓	40,03 €

*Depending on availability - Dimensions in mm

- Stainless steel indexing handle with threaded shaft

- Materials:

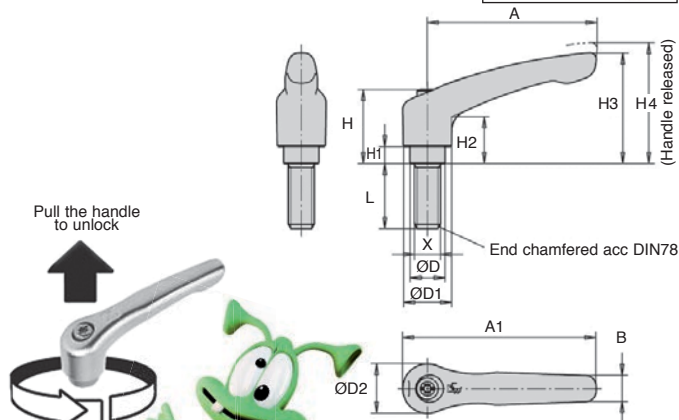
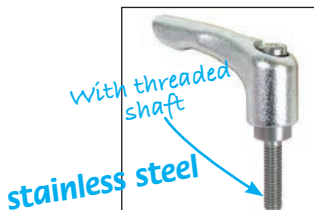
Precision cast handle: stainless steel 304

Other components: stainless steel 303

- Finish:

Handle: electrolytically polished stainless steel

Other components: polished stainless steel



DISCOUNTS

Qty	1+	6+	20+
Disc.	List	-10%	On request

Part number	Thread		Dimensions (mm)								N° of teeth			Price each		
	X	D	D1	D2	H	H1	H2	H3	H4	A	A1	B	Stock*		1 to 5	
CLA01T5/SS	M5	10,0	13,0	14,0	24,5	4,0	14,5	31,0	34,0	40	47,0	7	16	20	✓	21,67 €
CLA01T6/SS	M6	10,0	13,0	14,0	24,5	4,0	14,5	31,0	34,0	40	47,0	7	16	30	✓	21,67 €
CLA02T6/SS	M6	13,5	18,5	19,0	28,5	6,5	17,5	42,5	45,5	65	74,5	10	20	50	✓	30,12 €
CLA02T8/SS	M8	13,5	18,5	19,0	28,5	6,5	17,5	42,5	45,5	65	74,5	10	20	50	✓	30,12 €
CLA02T10/SS	M10	13,5	18,5	19,0	28,5	6,5	17,5	42,5	45,5	65	74,5	10	20	50	✓	30,12 €
CLA03T8/SS	M8	16,0	21,0	22,0	37,0	10,0	24,0	54,5	58,5	80	91,0	11	22	50	✓	36,16 €
CLA03T10/SS	M10	16,0	21,0	22,0	37,0	10,0	24,0	54,5	58,5	80	91,0	11	22	50	✓	36,16 €
CLA04T12/SS	M12	19,0	27,0	27,5	43,0	10,0	27,0	63,0	67,5	95	109,0	13	24	50	✓	42,45 €

*Depending on availability - Dimensions in mm

Our other products



CHA_D65P
Hinge (stainless steel), Face frame for close-fitting door



CHAE4080PA
Decorative hinges, Polyamide



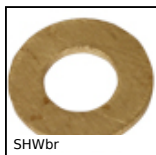
GBSz
Ball screw, Cylindrical lead screw nut



DER80
3 phase AC asynchronous motor - Stainless steel, 0.55 to 0.75kW



LRX
Linear roller slide, Rail - from 9410 N to 101000 N



SHWbr
Washer - DIN 125, Brass



P40
Worm and wheel gearbox, up to 18 Nm



CPE
Accessories for tubes, For adding label support



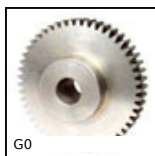
ZG2
Spur gear, Machined plastic (delrin)



PTA150
Articulated foot with pressed base, Ø 150



TIFbout
Threaded stud - DIN 976A, Steel



G0
Spur gear, Steel 20NCD2

Complementary products



PCLA_M
Clamping lever - female, Plastic



CLB_M
Clamping lever - female, Zamak



PCLA_T
Clamping lever - male, Plastic



CLASS
Clamping lever - male, Stainless steel