

CLass

With threaded insert

- **Stainless steel indexing handle with threaded insert**

- **Materials:**

Precision cast handle: stainless steel 304

Other components: stainless steel 303

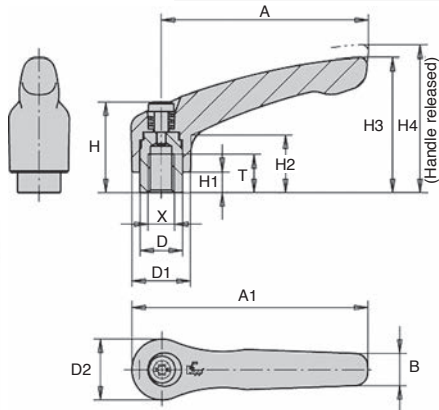
- **Finish:**

Handle: electrolytically polished stainless steel

Other components: polished stainless steel



stainless steel



Pull the handle to unlock



DISCOUNTS

Qty	1+	6+	20+
Disc.	List	-10%	On request

Part number	Thread		D	D1	D2	H	H1	H2	H3	H4	A	A1	B	N° of teeth	Price each	
	X	T													Stock*	1 to 5
CLA01M5/SS	M5	9	10,0	13,0	14,0	24,5	4,0	14,5	31,0	34,0	40	47,0	7	16	✓	21,06 €
CLA01M6/SS	M6	9	10,0	13,0	14,0	24,5	4,0	14,5	31,0	34,0	40	47,0	7	16	-	21,06 €
CLA02M6/SS	M6	12	13,5	18,5	19,0	28,5	6,5	17,5	42,5	45,5	65	74,5	10	20	✓	28,38 €
CLA02M8/SS	M8	12	13,5	18,5	19,0	28,5	6,5	17,5	42,5	45,5	65	74,5	10	20	✓	28,38 €
CLA03M8/SS	M8	14	16,0	21,0	22,0	37,0	10,0	24,0	54,5	58,5	80	91,0	11	22	✓	34,19 €
CLA03M10/SS	M10	14	16,0	21,0	22,0	37,0	10,0	24,0	54,5	58,5	80	91,0	11	22	✓	34,19 €
CLA04M10/SS	M10	17	19,0	27,0	27,5	43,0	10,0	27,0	63,0	67,5	95	109,0	13	24	✓	40,03 €
CLA04M12/SS	M12	17	19,0	27,0	27,5	43,0	10,0	27,0	63,0	67,5	95	109,0	13	24	✓	40,03 €

*Depending on availability - Dimensions in mm

- Stainless steel indexing handle with threaded shaft

- Materials:

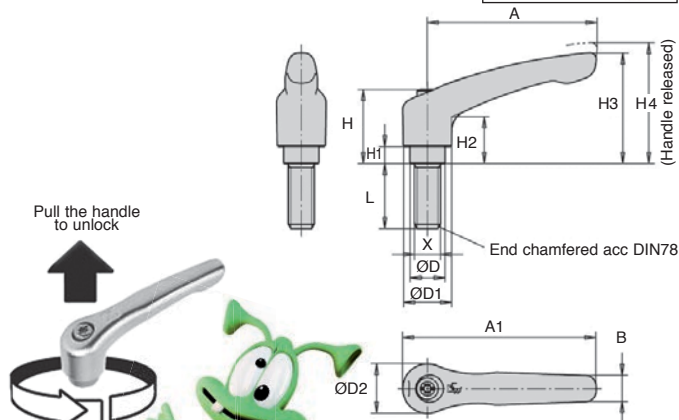
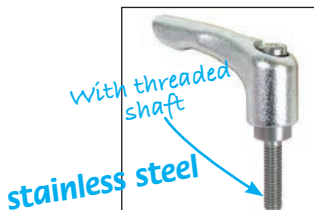
Precision cast handle: stainless steel 304

Other components: stainless steel 303

- Finish:

Handle: electrolytically polished stainless steel

Other components: polished stainless steel



DISCOUNTS

Qty	1+	6+	20+
Disc.	List	-10%	On request

Part number	Thread				H	H1	H2	H3	H4	A	A1	B	N° of teeth	Thread length L	Price each
	X	D	D1	D2											
CLA01T5/SS	M5	10,0	13,0	14,0	24,5	4,0	14,5	31,0	34,0	40	47,0	7	16	20	✓ 21,67 €
CLA01T6/SS	M6	10,0	13,0	14,0	24,5	4,0	14,5	31,0	34,0	40	47,0	7	16	30	✓ 21,67 €
CLA02T6/SS	M6	13,5	18,5	19,0	28,5	6,5	17,5	42,5	45,5	65	74,5	10	20	50	✓ 30,12 €
CLA02T8/SS	M8	13,5	18,5	19,0	28,5	6,5	17,5	42,5	45,5	65	74,5	10	20	50	✓ 30,12 €
CLA02T10/SS	M10	13,5	18,5	19,0	28,5	6,5	17,5	42,5	45,5	65	74,5	10	20	50	✓ 30,12 €
CLA03T8/SS	M8	16,0	21,0	22,0	37,0	10,0	24,0	54,5	58,5	80	91,0	11	22	50	✓ 36,16 €
CLA03T10/SS	M10	16,0	21,0	22,0	37,0	10,0	24,0	54,5	58,5	80	91,0	11	22	50	✓ 36,16 €
CLA04T12/SS	M12	19,0	27,0	27,5	43,0	10,0	27,0	63,0	67,5	95	109,0	13	24	50	✓ 42,45 €

*Depending on availability - Dimensions in mm

Our other products



CABPVC

PVC covered galvanised steel cable, Galvanised steel with



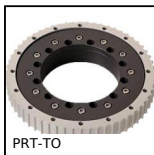
RJUM05

Drylin R® linear bearing housing, Closed - Slim



BLHM50

Right angled gearbox, double output shafts, up to 30 Nm



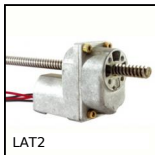
PRT-TO

iglidur® slewing ring, With external teeth-Iglidur®, aluminium & S...



DER80

Stainless steel AC asynchronous motor 0.55 - 0.75kW, 0.55 to 0.75kW



LAT2

2A motorised linear actuator, 2 amperes



PTA50

Articulated levelling foot, pressed base Ø50, Ø 50



PM4

Worm and wheel set, Hardened steel



RPCplss

Fixed castor with plate, Stainless steel - Polyamide



RFK58B

Hypoid gearbox - Stainless steel, up to 500 Nm



CHB

Single output shaft, For CHB gearbox



ZG1

Plastic spur gear, Machined plastic (delrin)

Complementary products



CLB_M

Die cast zinc clamping lever - female, Zamak



PCLA_M

Technopolymer clamping lever - female, Plastic



CLASS

Stainless steel indexing handle - male, Stainless steel



PCLA_T

Technopolymer clamping lever - male, Plastic