

## CLAUSS

## Hygienic Usit®

### - Indexing lever with female thread and collar for a sealing washer

- EHEDG certification

- Material:

Stainless steel 1.4404 (316L)

Polished finish up to Ra<0.04

### Advantages

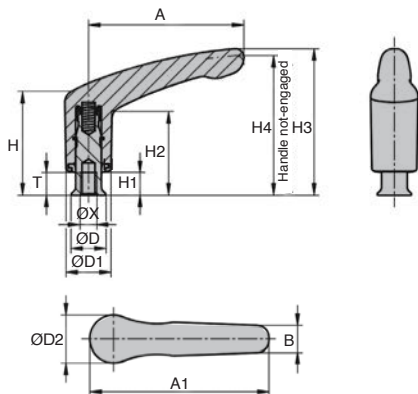
- Intended for use in hygienic environments. The completely sealed handle and a gasket prevent contamination inside the lever.
- In addition, the insert is fitted with a conical insert so that the screwed connection can be hygienically sealed to the sealing washer.
- The lever rotates freely when not in use.



### Accessory

- RDE sealing washers (cf. pages 37 à 39)

Apply pressure to engage the lever (safety feature)



### DISCOUNTS

Qty	1+	5+	10+
Disc. Net	-5%		On request

Part N°	ØX	T	ØD	ØD1	ØD2	H	H1	H2	H3	H4	A	A1	B	N° of teeth	Price each
															1 to 4
CLA03M8/HUSS	M8	12	18	23,6	24,9	54,7	12,1	44	77	73,5	81,5	94	14,2	20	68,92 €
CLA03M10/HUSS	M10	15	22,3	23,6	24,9	54,7	12,1	44	77	73,5	81,5	94	14,2	20	69,96 €

All dimensions in mm

## Our other products



ERT

Sliding nut, For T slot



SKM

Trapezoidal nut, Steel  
- 1 thread



PXHG3

Crossed helical gear -  
precision range,  
20NCD2 case  
hardened steel



PWDL\_PWGDL05

Worm - precision  
range, Peek



VTLF

3 lobed handle,  
Polyamide - Brass



MAT

Ground precision  
shaft, 100C6 steel bar



BPTR\_M

Tube end cap, With  
threaded insert



CCL

Wire thimble, Steel



AF

Rigid coupling, Set  
screw



HTD3M\_09

HTD-type pulley for  
RPP-type belt, HTD3  
Aluminium



DSF

Friction torque limiter,  
4 to 2600 Nm



CLG15-ALI

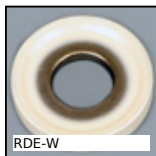
Spur gear, Moulded  
blue plastic (nylon)

## Complementary products



RDE-N

Sealing washer  
Hygienic Usit®,  
Stainless steel - Black  
EPDM



RDE-W

Sealing washer  
Hygienic Usit®,  
Stainless steel - White  
EPDM



RDE-B

Sealing washer  
Hygienic Usit®,  
Stainless steel - Blue  
EPDM



CLAT

Clamping lever  
Hygienic Usit®,  
Stainless steel