

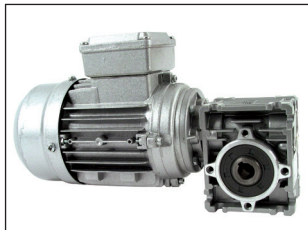


Asynchronous AC motor-gearboxes 0.37 to 1.5kW

Torque up to 165Nm

CHM63-MOT

- Three phase electric motor gearbox assembly
- Comprises 1 CHM63 gearbox and 1 CHT motor (see motor section)
- 4 pole motor
- B14 mounting flange
- Motor speed 1,400 rpm
- Material:
Gearbox housing: aluminium

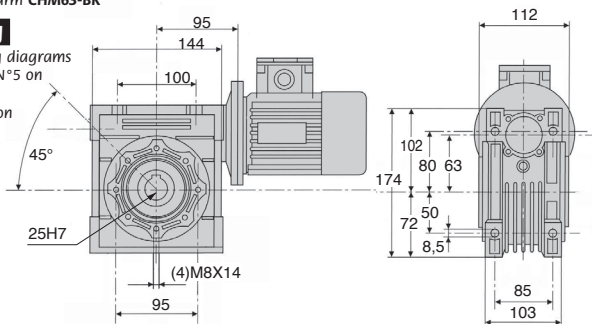


Accessories

- Servo amplifier TEL-ATV11/370
- Output shaft CHM63-X, CHM63-DX
- Reaction arm CHM63-BR

Wiring

- See wiring diagrams N°3 and N°5 on technical information pages



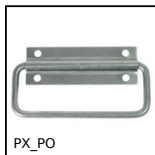
DISCOUNTS

Qty	1+	2+	4+
Disc.	List	-15%	On request

Part number	Reduction ratio	Motor	Motor power (kW)	Speed under load (rpm)	Nominal Torque (Nm)	Service factor	Price each
CHM63-7-90L4	7,5:1	90L4	1,50	186,7	67,4	1,8	495,96 €
CHM63-10-90L4	10:1	90L4	1,50	140,0	88,6	1,4	495,96 €
CHM63-15-90L4	15:1	90L4	1,50	93,3	126,0	1,1	495,96 €
CHM63-20-90L4	20:1	90L4	1,50	70,0	164,0	0,8	495,96 €
CHM63-25-90S4	25:1	90S4	1,10	56,0	145,0	0,9	468,70 €
CHM63-30-90S4	30:1	90S4	1,10	46,7	165,0	1,0	468,70 €
CHM63-40-80B4	40:1	80B4	0,75	35,0	143,0	1,0	436,57 €
CHM63-50-80A4	50:1	80A4	0,55	28,0	122,0	1,1	420,91 €
CHM63-60-80A4	60:1	80A4	0,55	23,3	138,0	0,9	420,91 €
CHM63-80-71B4	80:1	71B4	0,37	17,5	114,0	1,1	396,24 €
CHM63-100-71B4	100:1	71B4	0,37	14,0	127,0	0,9	396,24 €

Dimensions in mm

Our other products



PX_PO

Carrying handle,
standard



MPB

Hexagonal spacer,
Brass



GBSz

Cylindrical ballscrew
nut, Cylindrical
leadscrew nut



M1

Worm and wheel set,
Non hardened steel



H1

Crossed helical gear
crossed axis at 90°,
Steel 20NCD2



BPM-Z

Plastic slotted spring
plunger with ball tip,
Plastic body +
plastic...



RPP

Connecting plate for
RPP type timing belts,
RRP5



CHAEpac

Square decorative
screwed hinges,
carbon fibre
reinforced



GLT3-76

Telescopic drawer,



PSG05HC

Skive hobbed spur
gears - precision



CHA138

Screwed hinge with
threaded insert, 138



M1

Worm and wheel set,
Hardened steel

Complementary products



CHMX_CHMDX

Shaft for worm and
wheel reducer CHMR
and CHM, CHMR and
CHM gearbox...



CHMBR

Reaction arm, CHM
and CHMR gear
reducers reaction arm