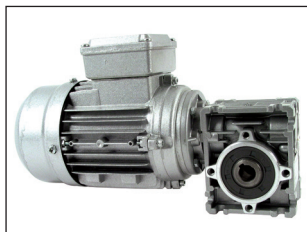


CHM50 -MOT

Torque up to 87Nm

- **Three phase electric motor gearbox assembly**
- Comprises 1 **CHM50** gearbox and 1 **CHT** motor (see motor section)
- 4 pole motor
- B14 mounting flange
- Motor speed: 1,400 rpm
- Material:
Gearbox housing: aluminium

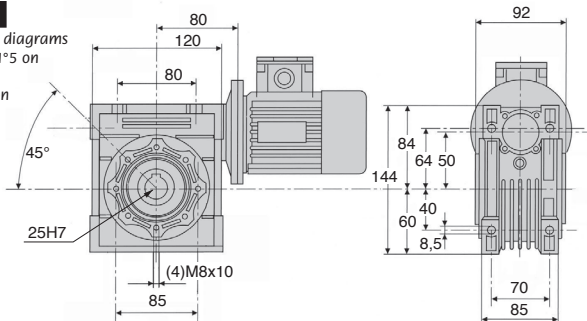


Accessories

- Output shaft **CHM50-X**, **CHM50-DX**
- Reaction arm **CHM50-BR**

Wiring

- See wiring diagrams N°3 and N°5 on technical information pages



DISCOUNTS

Qty	1+	2+	4+
Disc.	List	-15%	On request

* without CHM50-100-63B4 mounting flange B5

Part number	Reduction ratio	Motor	Motor power (kW)	Speed under load (rpm)	Nominal Torque (Nm)	Service factor	Price each
CHM50-7-80B4	7,5:1	80B4	0,75	186,7	33,3	2,0	358,63 €
CHM50-10-80B4	10:1	80B4	0,75	140,0	43,9	1,6	358,63 €
CHM50-15-80B4	15:1	80B4	0,75	93,3	62,6	1,2	358,63 €
CHM50-20-80B4	20:1	80B4	0,75	70,0	80,0	0,9	358,63 €
CHM50-25-80A4	25:1	80A4	0,55	56,0	70,0	1,0	342,95 €
CHM50-30-80A4	30:1	80A4	0,55	46,7	80,0	1,0	342,95 €
CHM50-40-71B4	40:1	71B4	0,37	35,0	67,0	1,1	318,27 €
CHM50-50-71B4	50:1	71B4	0,37	28,0	78,0	0,9	318,27 €
CHM50-60-71B4	60:1	71B4	0,37	23,3	87,0	0,8	318,27 €
CHM50-80-71A4	80:1	71A4	0,25	17,5	70,0	0,9	304,85 €
CHM50-100-63B4*	100:1	63B4	0,18	14,0	59,0	0,9	296,00 €

Dimensions in mm

Our other products



LRX

Linear roller slide, Rail
- from 9410 N to
101000 N



SLBW

Indexing plunger,
weldable, Weldable -
Steel



CHMBR

Reaction arm, CHM
and CHMR gear
reducers reaction arm



BH01

Single housed
bearing, Bearing fitted
with adhesive



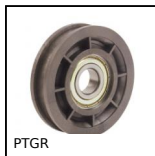
MACss

Stainless steel
carabiner, Stainless
steel



RFK38B

Hypoid gearbox -
Stainless steel, up to
200 Nm



PTGR

Tensioner pulley, For
round belts



T10courroie

T type timing belt,
T10 Steel cored
polyurethane



Q4

Double row radial
contact ball bearing,
Radial contact - Steel



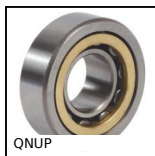
WINGbrEcrou

Manually tightened
wing nut DIN315,
Brass DIN 315



S2B

Short linear bearing
housing, Closed - Slim



QNUP

Single row cylindrical
roller bearing, 1 fixed
inner flange and 1 fr...

Complementary products



CHMX_CHMDX

Shaft for worm and
wheel reducer CHMR
and CHM, CHMR and
CHM gearbox...



CHMBR

Reaction arm, CHM
and CHMR gear
reducers reaction arm