

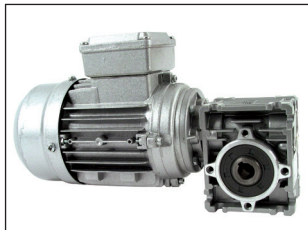


A synchronous **AC** motor-gearboxes 0.18 to 0.55kW

Torque up to 52Nm

CHM40 -MOT

- Three phase electric motor gearbox assembly
- Comprises 1 **CHM40** gearbox and 1 **CHT** motor (see motor section)
- 4 pole motor
- B14 mounting flange
- Motor speed 1,400 rpm
- Material:
Gearbox housing: aluminium

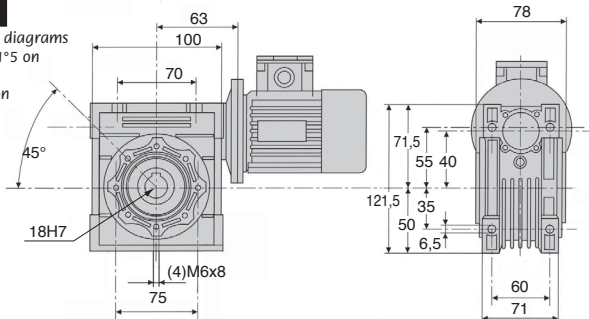


Accessories

- Output shaft **CHM40-X**, **CHM40-DX**
- Reaction arm **CHM40-BR**

Wiring

- See wiring diagrams N°3 and N°5 on technical information pages



DISCOUNTS

Qty	1+	2+	4+
Disc.	List	-15%	On request

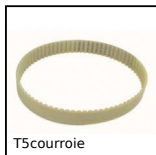
Part number	Reduction ratio	Motor	Motor power (kW)	Speed under load (rpm)	Nominal Torque (Nm)	Service factor	Price each
CHM40-7-71C4	7,5:1	71C4	0,55	186,7	22	1,6	293,90 €
CHM40-10-71C4	10:1	71C4	0,55	140,0	30	1,4	293,90 €
CHM40-15-71C4	15:1	71C4	0,55	93,3	44	0,9	293,90 €
CHM40-20-71C4	20:1	71C4	0,55	70,0	38	1,0	293,90 €
CHM40-25-71B4	25:1	71B4	0,37	56,0	45	0,9	276,30 €
CHM40-30-71B4	30:1	71B4	0,37	46,7	52	0,8	276,30 €
CHM40-40-71A4	40:1	71A4	0,25	35,0	43	0,9	262,90 €
CHM40-50-63C4	50:1	63C4	0,22	28,0	44	0,9	259,50 €
CHM40-60-63B4	60:1	63B4	0,18	23,3	42	0,8	254,04 €
CHM40-80-63B4	80:1	63B4	0,18	17,5	36	0,8	254,04 €
CHM40-100-63B4	100:1	63B4	0,18	14,0	35	0,8	254,04 €

Dimensions in mm

Our other products



PAMF120
Articulated fixable foot, pressed bolt-down base Ø 120, Ø 120



T5courroie
T type timing belt, T5 Steel cored polyurethane



AT5P_AT10P
Connecting plate for AT type timing belts, AT5



M1
Worm and wheel set, Hardened steel



JCDss
Double universal joint - Stainless steel, Low duty



SSB
Stainless steel bevel gear, 1:1



AT5courroie
AT type timing belt, AT5 Steel cored polyurethane



CHTRP
Single and dual output gearboxes, Up to 34,5 Nm



MDB_MTB
Moulded plastic bevel gear (nylon), 2:1



J52
Spur gear coaxial gearbox, from 0.27 to 0.90 Nm - Inline



EHD16
Internal epicyclic servo reducers, from 210 to 380 Nm



SSG
Stainless steel spur gear, Stainless steel 304L

Complementary products



CHMX_CHMDX
Shaft for worm and wheel reducer CHMR and CHM, CHMR and CHM gearbox...



CHMBR
Reaction arm, CHM and CHMR gear reducers reaction arm