

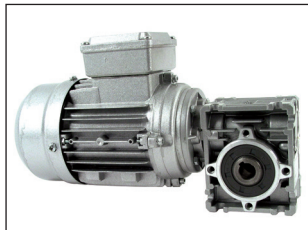
Asynchronous AC motor-gearboxes 0.09 to 0.22kW



CHM30-MOT

Torque up to 22Nm

- Three phase electric motor gearbox assembly
- Comprises 1 CHM30 gearbox and 1 CHT motor (see motor section)
- 4 pole motor
- B14 mounting flange
- Motor speed 1,400 rpm
- Material:
Gearbox housing: aluminium

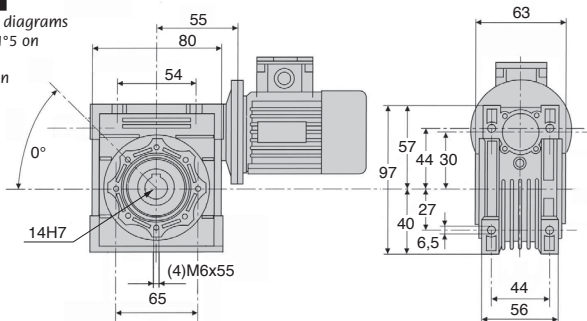


Accessories

- Output shaft CHM30-X, CHM30-DX
- Reaction arm CHM30-BR

Wiring

- See wiring diagrams N°3 and N°5 on technical information pages



DISCOUNTS

Qty	1+	2+	4+
Disc.	List	-15%	On request

Part number	Reduction ratio	Motor	Motor power (kW)	Speed under load (rpm)	Nominal Torque (Nm)	Service factor	Price each
CHM30-7-63C4	7,5:1	63C4	0,22	186,7	9	2,1	234,66 €
CHM30-10-63C4	10:1	63C4	0,22	140,0	11	1,6	234,66 €
CHM30-15-63C4	15:1	63C4	0,22	93,3	16	1,0	234,14 €
CHM30-20-63C4	20:1	63C4	0,22	70,0	20	0,9	234,14 €
CHM30-25-63B4	25:1	63B4	0,18	56,0	20	1,0	229,16 €
CHM30-30-63B4	30:1	63B4	0,18	46,7	22	0,9	229,16 €
CHM30-40-63B4	40:1	63B4	0,18	35,0	21	0,8	229,16 €
CHM30-50-63B4	50:1	63B4	0,18	28,0	19	0,8	229,16 €
CHM30-60-56B4	60:1	56B4	0,09	23,3	18	0,9	220,59 €
CHM30-80-56B4	80:1	56B4	0,09	17,5	13	0,9	220,59 €

Dimensions in mm

Our other products



BDMdll
Magnetic bush for pin,
Fast and light
magnetic locking



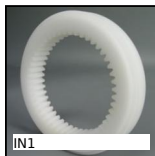
DB
Steel bevel gear, 2:1



WBGV
Lifting ring, Threaded



BSM_LOK
Long-Lok spring
plunger with internal
hexagonal socket,
LONG-LOK - s...



IN1
Internal gear,
Machined plastic
(delrin)



RBGtc
Swivel castor with
central hole, Steel -
grey rubber - with
double b...



OPFL_OPPM
Numerical counter
accessories, Locking
clamp



BCH_SS
Mushroom headed
button, M3 to M8



LRR-53
Spring loaded latch,
Spring return latch -



M0
Worm and wheel set,
Machined plastic



SBF
Sealed flange bearing
unit for Food Industry,



RLX
Free running conveyor
roller, PVC

Complementary products



CHMX_CHMDX
Shaft for worm and
wheel reducer CHMR
and CHM, CHMR and
CHM gearbox...



CHMR
Reaction arm, CHM
and CHMR gear
reducers reaction arm